

Within the pages of this reference manual we present our range of Hard and Soft Standard Chuck Jaws. These are held in stock and can be delivered anywhere in the United Kingdom on a next day basis.

Our Jaws are supplied chemically blacked and either boxed or wrapped to insure safe delivery and storage.

Leader's Chuck Jaws are only manufactured from the highest quality materials, either 16MnCr5 or C46 conforming to European standards.

We also supply Special Chuck Jaws, these can be manufactured either to customer drawing or specifically designed and produced for gripping and locating a bespoke component.

All products and services supplied by Leader are to the current BS EN ISO 9002 regulations.

This page is intentionally blank

INDEX 1

Manufacturer	Chuck Type	Soft Jaws	Diamond Jaws	Hard Jaws
Serrated Soft Top Jaws Undrilled & Drilled 1/16 x 90°		9		
Serrated Soft Top Jaws Undrilled & Drilled 1.5 x 60°		21		
Autoblok & SMW Autoblok	ALD, AND, CD, GHDN, GHD/FC, HDB, HDL, HDN, IDL, IND	10,11,12 & 13	10,11,12 & 13	14,15,16 & 17
	HG, HG-F, HG-N, KNCS, KNCS-A, KNCS-N, KNSP, RMG	40 & 41	40 & 41	42 & 43
Berg	HES, HESF, KF, KHFF	10,11,12 & 13	10,11,12 & 13	14,15,16 & 17
	KH	18	18	18
	KHNC	40 & 41	40 & 41	42 & 43
Bergmans		44		
Bison (Toolmex)		44		
	SCROLL	49		
Elliot (Emco)	SCROLL	49		
Forkardt	F, F+, FNC, KTNC, KTNCV, UNC	40 & 41	40 & 41	42 & 43
	HGHF, KG, KGFH, KGH, KL, KS, KSF, KSH, KSHF, KSPS, KTG, KTGF, KTH, KTN, NH, NHF, QLC, UVE	10,11,12 & 13	10,11,12 & 13	14,15,16 & 17
	KTHS	19	19	19
	2 BLE	20		
Gamet	DELTA, GA, GO, MAC, MF, MO, N, NO	22		23
	MX	40 & 41	40 & 41	42 & 43

INDEX 2

Manufacturer	Chuck Type	Soft Jaws	Diamond Jaws	Hard Jaws
Geiger & Haag	GHBF, GHFA, GHGY, GHFHA, GHHGA, GHHL, GHHS, P, GHKS, GHL, GHN, GHSH, GHSP, GHSN	10,11,12 & 13	10,11,12 & 13	14,15,16 & 17
Hofmann	KAF,KAF-B, KHB, KHC, KHC- B, LK, LKL, LKN, LKS	10,11,12 & 13	10,11,12 & 13	14,15,16 & 17
Howa	HO6M, HO14M, HO15M, HO18M, HO22M, HO23M, HO24M, HO25M, HO27M, HO37M, HO46M, HO47M, HO1MA, HO7MA, HO15MA, HO22MA	24	25	26
Kitagawa	AS, B, BT, BL, HJ, NJA, HLA, HO, HOB, HOH, HOS, N, UVE	27	28	29
	QJ	40 & 41	40 & 41	42 & 43
Ladner		44		
Leader	SELF CONTAINED	33		
	LC-M	34	34	
	LC-I	35	35	
	MULTI CHUCK JAWS	33		
	MULTI VICES	33		
Matsumoto	H, HA, HH, HHXA, HJ, HX, HXA, NE, NF, STC, ZA	32	25	
Pratt Burnerd	CONSTANT GRIP, INTERNATIONAL, QUICK CHANGE, SELF CONTAINED, WEDGE	36		
	HSQC	37		
	COVENTRY, TUDOR	38		

INDEX 3

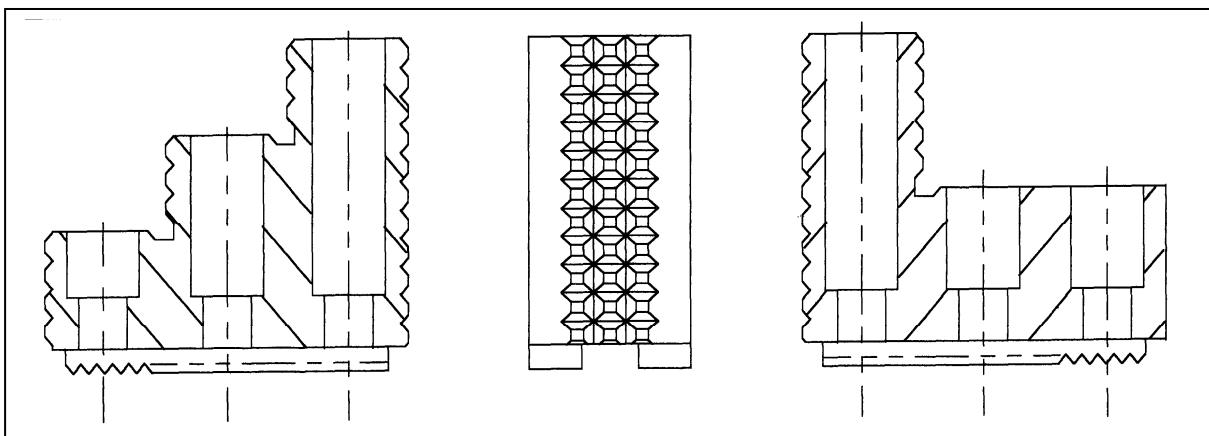
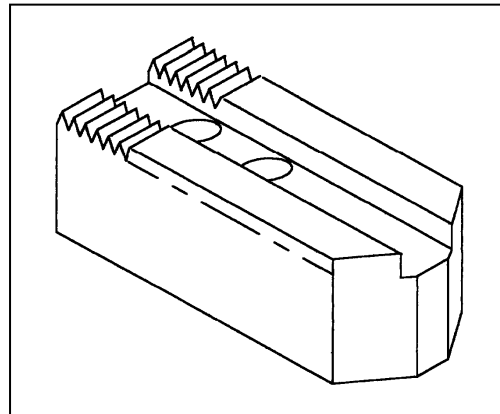
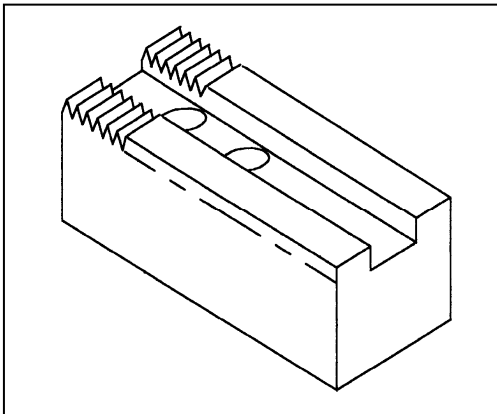
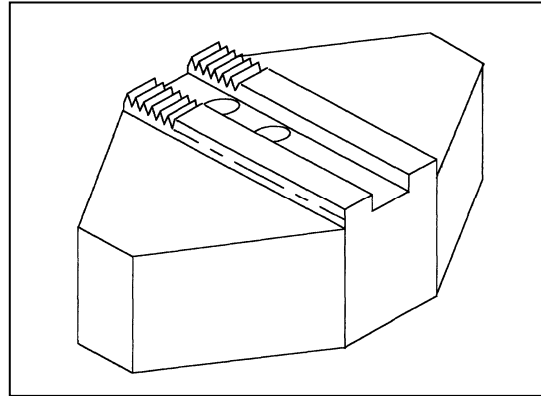
Manufacturer	Chuck Type	Soft Jaws	Diamond Jaws	Hard Jaws
Pratt Burnerd	ALL STEEL, BURNERD GRIPTRU, HARDINGE, STANDARD, SUPER PRECISION	50		
Röhm	DURO, DURO-NC, DURO-NCE	40 & 41	40 & 41	42 & 43
	KFD, KFD-HE, KFD-HF, KFH, KFH-F, KFH-G, KFH-NC, KFL, SPD, SPO	10,11,12 & 13	10,11,12 & 13	14,15,16 & 17
	KFD-HE, KFE, KFG, KFM, KFN	22		23
	LVE	30		31
	UGU, USU, ZGD, ZGF, ZGU, ZSU	44		
	SCROLL	49		
SCA		44		
Schunk	HSG,HSL, ROTA NC-O, TH, THF	10,11,12 & 13	10,11,12 & 13	14,15,16 & 17
	ROTA-G, ROTA-S, ROTA-S plus, ROTA NC-W, ROTA NC-WF, THW	40 & 41	40 & 41	42 & 43
SMW	KDAM, KDMF, KDV, KDVG, KFMF, Kfv, KKFS, KMA, KMAF, HFK, HFKS	10,11,12 & 13	10,11,12 & 13	14,15,16 & 17
	BB, LP, SP, STP, STWP	30		31
Tos	SCROLL	49		
Wickman	440/1A, 440/2, 400/3A, 440/4, 440/5, 440/6, 440/7	45		

This page is intentionally blank

SERRATED TOP JAWS

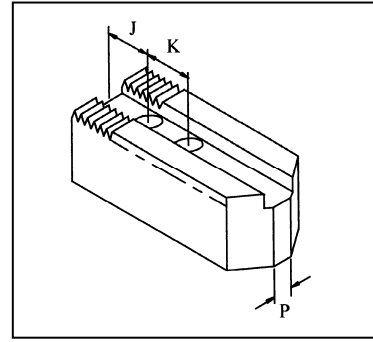
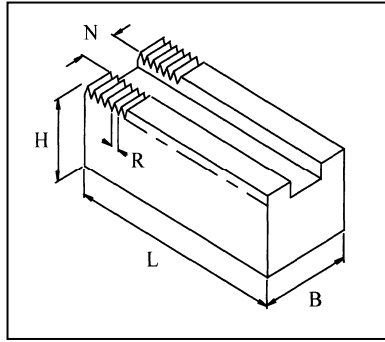
Steel – 16MnCr5 Blacked

Aluminium – HE30



This page is intentionally blank

Serrated Soft Top Jaws
Undrilled & Drilled
1/16 x 90° Serrations



LCS ORDER CODE	B	H	L	N	J-K	P x 120°	R 90°	BOLT		
009001	35	50	70	17			1/16	M12		
009002	40	40	90							
009003			105							
009004			60						70	
009005									90	
009006									105	
009007			80						90	120
009008										100
009009	50	80								105
009010			60						60	70
009011										90
009012	120									
009013	70									
009014	70	90	90							
009015			120							
009016			90							
009017	70	60								
009018	45	60	90	21			1/16	M16		
009019	50	50	105							
009020			90							
009021			120							
009022	80	90	120							
009023			90							
009024	60	60	90							
009025			105							
009026			80							
009027			90							
009028			105							
009029	60	90	120							
009030	60	60	140						25,5	
009031		80								
009032	90	155								
009033	80	60	140							
009034	64	152	155							
009035		127								
009036	80	80								
009037	102	64	140							

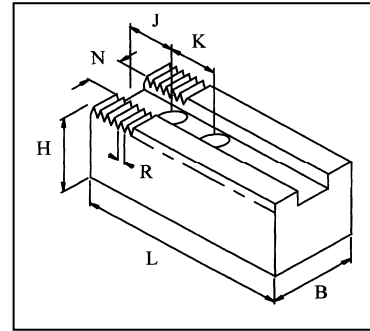
Please Note

For Drilled Blanks please specify with Jaw Code the Dimensions required for J-K

For Pointed Drilled or Undrilled Blanks please specify with Jaw Code the Dimension P

**Autoblok & SMW Autoblok,
Berg, Forkardt, Geiger & Haag,
Hofmann, Röhm, Schunk,
SMW**

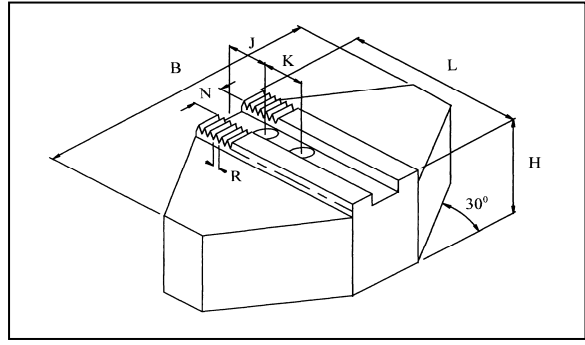
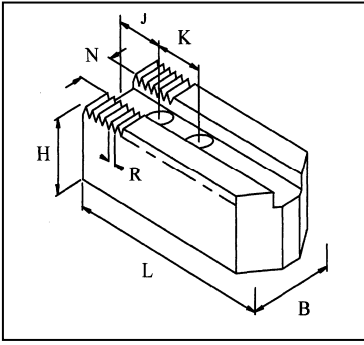
Serrated Soft Top Jaws



Type 1

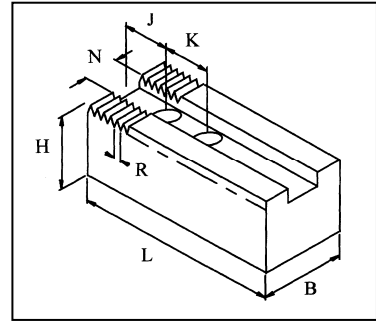
AUTOBLOK & SMW - AUTOBLOK	BERG	FORKARDT	GEIGER & HAAG	HOFMANN	RÖHM	SCHUNK	SMW
ALD 125 AND 125 GHDN 125 IND 125	KF 130	KTH 130/140	GHGY 120 GHGY 130 GHGY 160 GHGY 200		KFD 130 KFH 140	HSG 160-46	KDV 130 KMA 140 KMAF 140
ALD 165 AND 165 GHD/FC 165 GHDN 165 HDB 170 HDN 170 IDL 170 IDN 170							
CD 200 HDL 200 HDN200/220 IDL 200 IDN 200/220 ALD 210 AND 210 GHDN 210 GHD/FC 210 HDB 220	HES 160 HESF 160 KF 160	KGH 160/175 KGHF 160/175 KL 160 KS 160 KSH 160 KSPS 160 KTG 160 KTH160-46 KTN 160 NH 160 NHF 160 UVE 160 KSF 175 KTH 175-46 QLC 175	GHBF 160 GHHL 160 GHHSP 160 GHKS 160 GHL 160 GHN 160 GHSH 160 GHSP 160 GHFA 175 GHBF 190	LKL 160 KHC 160 KHC-B 160 LKL 200 KHC 200 KHC-B 200	KFD 160 KFD-HF 160 KFH 160 KFH-F 160 KFH-G 160 KFH-NC 160 SPD 160 SPO 160	THF 165-37 TH 165-37 HSL 165-37 ROTA NC-O 160	HFK 160 HFKS 160 KDV 160 KDVG 160 KDM 160 KDMF 160 KFMF 160 KFV 160 KMA 160 KMAF 160
CD 200 HDL 200 HDN200/220 IDL 200 IDN 200/220 ALD 210 AND 210 GHDN 210 GHD/FC 210 HDB 220	HES 200 HESF 200 KF 200 KHFF 200	KG 200, KGH 200 KGHF 200, KS 200 KSF 200, KT 200 KTG 200 KTGF 200 KTH 200, KTN 200 KSH 200, NH200 NHF 200 UVE 200/250 QLC 210 KL 250 MO KS 250, KS 250 MO KSHF 250-55 KSHF 250-65 NHF 250-65 (index) NHF 250-104 (index) NHF 290 (index)	GHBF 190 GHHFA 200 GHKS 200 GHHL 200 GHL 200 Mo GHN 200 GHSN 200 GHBF 210 GHHSP 215 GHSP 215 GHBF 225 GHGY 250 GHHFA 250 GHHL 250 GHL 250 Mo	KAF 200 KAF-B 200 KHB 200 KHC 200 KHC-B200 LK 200 LKL 200/250 LKN 200 Mo LKS 200/250 KAF 250 KAF-B250 KHC-B 250	KFD 200 KFD-HF 200 KFH 200 KFH-F 200 KFH-G 200 KFH-NC 200 KFD-HE 210 SPD 215 SPO 215 KFL 250	THF 210-52 TH 210-52 HSG 250-91 HSL 210-52	HFK 200 HFKS 200 KDM 200 KDMF 200 KDV 200 KDVG 200 KFMF 200 KFV 200 KMA 200 KMAF 200 KDMF 200 KDV 200 KDVG 250 KMA 250 KMAF 250

LEADER CHUCK SYSTEMS LTD CENTURY PARK BIRMINGHAM B9 4NZ UK



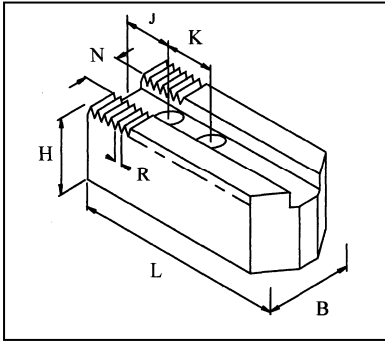
CHUCK Ø	LCS ORDER CODE	Type	B	H	L	N	J-K	R 90°	BOLT
125	011001	1	30	30	60	12	15-16	1/16	M8
	011002	1		40	60				
170	011003	1	35	35	70	14	16-16	1/16	M10
170	011004	1	40	40	70	17	15-22	1/16	M12
	011005	2			80				
	011006	1		60	70				
	011007 Steel	3	120	40	60				
	011008 Steel	3		60					
	011009 Aluminium	3		64	64				
200	011010	1	40	40	64	17	13-25.4	1/16	M12
	011011	1		50	80				
	011012	1		40	90				
	011013	2							
	011014	1		40					
	011015	1		60					
	011016	2							
	011017	2	35	40	110		14-22		
	011018 Steel	3	150	40	80		15-22		
	011019 Steel	3		60					
	011020 Aluminium	3		64					

Autoblok & SMW Autoblok,
 Berg, Forkardt, Geiger & Haag,
 Pratt Burnerd, Röhm, Schunk,
 SMW
 Serrated Soft TopJaws

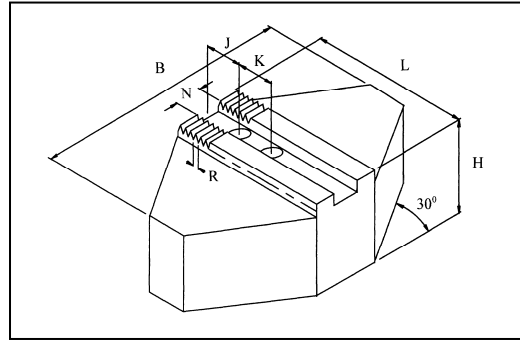


Type 1

AUTOBLOK & SMW AUTOBLOK	BERG	FORKARDT	GEIGER & HAAG	HOFMANN	RÖHM	SCHUNK	SMW
ALD 250/315 AND 250/315 CD 250/315 GHD/FC/250 GHDN 250 IDL 250/315 IDN 250/315 HDL 250/315 HDN 250/315 HDB 300 GHD/FC/305 GHDN 315 GHD/FC/400 GHDN 400, HDL 400, HDN 400, IDL 400, IDN 400	HES 250 HESF 250 KF 250 KHFF 250 HES 315 HESF 315 KF 315 KHFF 315	KG 250, KL 250 KLNC 250, KP250 KSH 250 KSHF250 KSPS250, KT 250 KTGF 250 KTN 250, NH 250 NHF 250 QLC 250, NHF 257 NHF 290-104 KSPS 300, KG 315 KLNC 315, KP 315 KSG 315, KSH 315 KSHF 315, KT 315 KTGF 315, NH 315 NHF 315, QLC 315 KS400, SH400 KSHF 400 NHF 400 (index)	GHL 250 GHN 250 GSH 250 GHL 280 GHL 280 GHSP 300, GHHSP 300 GHKS 315 GSH 315 GHN 315	KAF 200 KAF-B 200 KHB 200 KHC 200 KHC-B 200 LK200 LKL200 LKS 200 LKN 200 Mo KAF 250 KAF-B 250 KHC-B 250 LKL 250 LKS 250	KFD 250 KFD-HF 250 KFH 250 KFH-F 250 KFH-G 250 KFH-NC 250 KFD-HE 254 SPD 300 SPO 300 KFD 315 KFD-HF 315 KFD-HF 315 KFH 315 KFH-F 315 KFH-G 315 KFH-NC 315 KFL 315 KFL 400	HSL 250 ROTA NC-D 250 ROTA NC-O 250 TH 250 THF 250 TP 250 HSL 315 ROTA NC-D 315 ROTA NC-O 315 TH 315 THF 315 TP 315	HF 250 HFKS 250 HFKN-D 260 HFMF 250 KFV 250 KDM 250 HF 315 HFKN-D 315 HFMF 315 KDV 315 KDV 315 KDFV 315 KFV 315 KMA-F 315 KDM 315 KDM-F 315 KMA 315 KDV 400 KDV 400 KDM 400 KDM-F 400 KDV 400
		KL 300 KSHF 560			KFA 315		
ALD 400 AND 400 GHDN 500 GHDN 640 IDL 500/630 IDN 500/630 GHDN 610 GHDN 800 IDL 800 IDN 800	HES 400 KF 400 KHFF 400 HES 500 KF 500 HES 630 KF630	KG 400, KL 400 KLNC 400, KP 400 KT 400, KTGF 400 NH 400, NHF 400 QLC 400, UVE 400 KG 500, KL 500 KLNC 500, KP 500 KS 500, KT 500 KTGF 500, NH 500 NHF 500, UVE 500 KS 630, KSL 630 KSHF 630, KT 630 KTGF 630, NH 630 NHF 630, UVE 630 UVE 800		LK 400 KHB 500 KHC 500 LK 500 LKL 500 LKS 500	KFD 400 KFD-HE 400 KFD-HF 400 KFD-HS 400 KFH 400 KFH-F 400 KFH-G 400 KFH-NC 400 KFD 500 KFD-HF 500 KFD-HS 500 KFH 500 KFH-F 500 KFH-G 500 KFH-NC 500 KFL 500 KFL 600 KFD 630 KFD 800	HSG 400 HSL 400 ROTA NC-D 400 ROTA NC-O 400 TH 400 THF 400 HSG 500 TH 500 THF 500	HF 400 HFKS 400 KFV 400 HF 500 HFKS 500 KDV 500 KDV 500 KFV 500 KFV 630 KFV 800



Type 2



Type 3

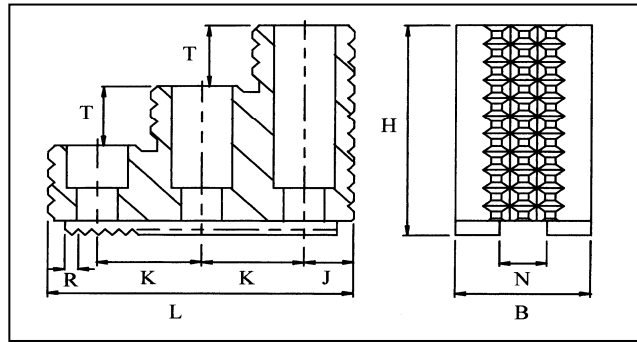
CHUCK Ø	LCS ORDER CODE	Type	B	H	L	N	J-K	R 90°	BOLT
250	013001	1	45	60	105	21	18-31.8	1/16	M16
	013002	1	50	65	116		25-31.8		
	013003	1	50	50	120		30-28		
	013004	2		140	120		28-30		
	013005	1							
	013006	2							
	013007	1	80	120	20-30				
	013008	1	70	100					
	013009	1	45	45	110		22-30		
	013010	1	50	50	125		20-28		
	013011	1	80	125					
	013012 Steel	3	170	60	90		30-28		
	013013 Aluminium	3		64					
	*013014 Steel	3	240	76	118				
*013015 Aluminium	3								
* Suitable for 315-400mm Chucks only									
300	013016	1	60	90	140	25.5	30 – 35	1/16	M20
400	013017	1	60	80	152	25.5	30-44.5	3/32	M20
	013018	1	70	70	110		30 – 35		
	013019	1	60	90	155		27-38		
	013020	1		60	170				
	013021 Steel	3	280	76	127				
	013022 Aluminium	3							

LEADER CHUCK SYSTEMS LTD CENTURY PARK BIRMINGHAM B9 4NZ UK

**Autoblok & SMW Autoblok,
Berg, Forkardt, Geiger & Haag,
Hofmann, Röhm, Schunk,
SMW**

Serrated Hard TopJaws

AUTOBLOK & SMW - AUTOBLOK	BERG	FORKARDT	GEIGER & HAAG	HOFMANN	RÖHM	SCHUNK	SMW
ALD 125 AND 125 GHDN 125 IND 125	KF 130	KTH 130/140	GHGY 120 GHGY 130 GHGY 160 GHGY 200		KFD 130 KFH 140	HSG 160-46	KDV 130 KMA 140 KMAF 140
ALD 165 AND 165 GHD/FC 165 GHDN 165 HDB 170 HDN 170 IDL 170 IDN 170							
CD 200 HDL 200 HDN200/220 IDL 200 IDN 200/220 ALD 210 AND 210 GHDN 210 GHD/FC 210 HDB 220	HES 160 HESF 160 KF 160	KGH 160/175 KGHF 160/175 KL 160 KS 160 KSH 160 KSPS 160 KTG 160 KTH160-46 KTN 160 NH 160 NHF 160 UVE 160 KSF 175 KTH 175-46 QLC 175	GHBF 160 GHHL 160 GHHSP 160 GHKS 160 GHL 160 GHN 160 GHSH 160 GHSP 160 GHFA 175 GHBF 190	LKL 160 KHC 160 KHC-B 160 LKL 200 KHC 200 KHC-B 200	KFD 160 KFD-HF 160 KFH 160 KFH-F 160 KFH-G 160 KFH-NC 160 SPD 160 SPO 160	THF 165-37 TH 165-37 HSL 165-37 ROTA NC-O 160	HFK 160 HFKS 160 KDV 160 KDVG 160 KDM 160 KDMF 160 KFV 160 KMA 160 KMAF 160
CD 200 HDL 200 HDN200/220 IDL 200 IDN 200/220 ALD 210 AND 210 GHDN 210 GHD/FC 210 HDB 220	HES 200 HESF 200 KF 200 KHFF 200	KG 200, KGH 200 KGHF 200, KS 200 KSF 200, KT 200 KTG 200, KTGF 200 KTH 200, KTN 200 KSH 200, NH200 NHF 200 UVE 200/250 QLC 210 KL 250 MO, KS 250 KS 250 MO KSHF 250-55 KSHF 250-65 NHF 250-65 (index) NHF 250-104 (index) NHF 290 (index)	GHBF 190 GHHFA 200 GHKS 200 GHHL 200 GHL 200 Mo GHN 200 GHSN 200 GHBF 210 GHHSP 215 GHSP 215 GHBF 225 GHGY 250 GHHFA 250 GHHL 250 GHL 250 Mo	KAF 200 KAF-B 200 KHB 200 KHC 200 KHC-B200 LK 200 LKL 200/250 LKN 200 Mo LKS 200/250 KAF 250 KAF-B250 KHC-B 250	KFD 200 KFD-HF 200 LFH 200 KFH-F 200 KFH-G 200 KFH-NC 200 KFD-HE 210 SPD 215 SPO 215 KFL 250	THF 210-52 TH 210-52 HSG 250-91 HSL 210-52	HFK 200 HFKS 200 KDM 200 KDM-F 200 KDV 200 KDVG 200 KFV 200 KMA 200 KMA-F 200 KDM-F 250 KDV 250 KDVG 250 KMA 250 KMA-F 250

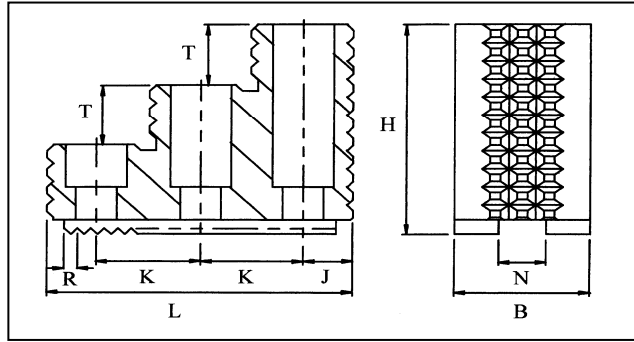


CHUCK Ø	LCS ORDER CODE	B	H	L	T	N	J-K-K	R 90°	BOLT
125	015001	30	38	57	10	12	16-14-14	1/16	M8
170	015002	30	46	78	11	14	16-22-22	1/16	M10
170	015003	40	49	72,5	12	17	18-19-19	1/16	M12
200	015004	40	49	84	12	17	29-19-19	1/16	M12

**Autoblok & SMW Autoblok,
Berg, Forkardt, Geiger & Haag,
Pratt Burnerd, Röhm, Schunk,
SMW**

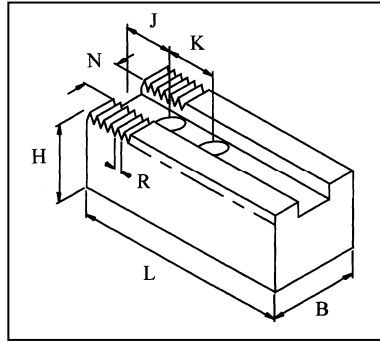
Serrated Hard TopJaws

AUTOBLOK & SMW AUTOBLOK	BERG	FORKARDT	GEIGER & HAAG	HOFMANN	RÖHM	SCHUNK	SMW
ALD 250/315 AND 250/315 CD 250/315 GHD/FC/250 GHDN 250 IDL 250/315 IDN 250/315 HDL 250/315 HDN 250/315 HDB 300 GHD/FC/305 GHDN 315 GHD/FC/400 GHDN 400 HDL 400 HDN 400 IDL 400 IDN 400	HES 250 HESF 250 KF 250 KHFF 250 HES 315 HESF 315 KF 315 KHFF 315	KG 250, KL 250 KLNC 250, KP250 KSH 250 KSHF250 KSPS250, KT 250 KTGF 250 KTN 250, NH 250 NHF 250 QLC 250, NHF 257 NHF 290-104 KSPS 300, KG 315 KLNC 315, KP 315 KSG 315, KSH 315 KSHF 315, KT 315 KTGF 315, NH 315 NHF 315, QLC 315 KS400, KSH 400 KSHF 400 NHF 400 (index)	GHL 250/280 GHN 250/315 GSH 250 GHHL 280 GHSP 300 GHSP 300 GHKS 315 GSH 315	KAF 200 KAF-B 200 KHB 200 KHC 200 KHC-B 200 LK200 LKL200 LKS 200 LKN 200 Mo KAF 250 KAF-B 250 KHC-B 250 LKL 250 LKS 250	KFD 250 KFD-HF 250 KFH 250 KFH-F 250 KFH-G 250 KFH-NC 250 KFD-HE 254 SPD 300 SPO 300 KFD 315 KFD-HF 315 KFH 315 KFH-F 315 KFH-G 315 KFH-NC 315 KFL 315 KFL 400	HSL 250 ROTA NC-D 250 ROTA NC-O 250 TH 250 THF 250 TP 250 HSL 315 ROTA NC-D 315 ROTA NC-O 315 TH 315 THF 315 TP 315	HFK 250/315 HFKS 250 HFKN-D 260 HFMF 250 KDM 250 KDM 250 KDF 250/315 KDV 315 KDVG 315 HFKN-D 315 HFKS 315 HFMF 315 KDM-F315 KMA 315 KMA-F315 KDVG 400 KDM 400 KDM-F 400 KDV 400 KMA 400
		KL 300 KSHF 560			KFA 315		
ALD 400 AND 400 GHDN 500 GHDN 640 IDL 500/630 IDN 500/630 GHDN 610 GHDN 800 IDL 800 IDN 800	HES 400 KF 400 KHFF 400 HES 500 KF 500 HES 630 KF630	KG 400, KL 400 KLNC 400, KP 400 KT 400, KTGF 400 NH 400, NHF 400 QLC 400, UVE 400 KG 500, KL 500 KLNC 500, KP 500 KS 500, KT 500 KTGF 500, NH 500 NHF 500, UVE 500 KS 630, KSL 630 KSHF 630, KT 630 KTGF 630, NH 630 NHF 630, UVE 630 UVE 800		LK 400 KHB 500 KHC 500 LK 500 LKL 500 LKS 500	KFD 400 KFD-HE 400 KFD-HF 400 KFD-HS 400 KFH 400 KFH-F 400 KFH-G 400 KFH-NC 400 KFD 500 KFD-HF 500 KFD-HS 500 KFH 500 KFH-F 500 KFH-G 500 KFH-NC 500 KFL 500 KFL 600 KFD 630 KFD 800	HSG 400 HSL 400 ROTA NC-D 400 ROTA NC-O 400 TH 400 THF 400 HSG 500 TH 500 THF 500	HFK 400 HFKS 400 KFV 400 HFK 500 HFKS 500 KDV 500 KDVG 500 KFV 500 KFV 630 KFV 800

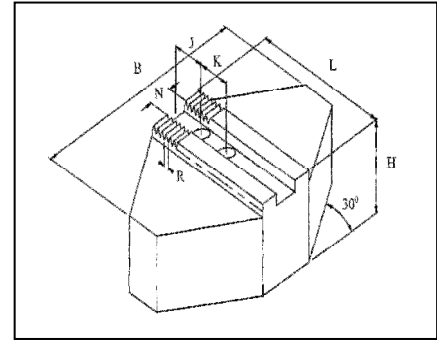


CHUCK Ø	LCS ORDER CODE	B	H	L	T	N	J-K-K	R 90°	BOLT
250	017001	50	58	104	14	21	34-25-25	1/16	M16
315	017002	50		128			46-30-30		
300	017003	50	58	140	14	25,5	38-31-31	1/16	M20
400	017004	60	75	140	18	25,5	38-31-31	3/32	M20

Berg
KH
Serrated Soft Top Jaws



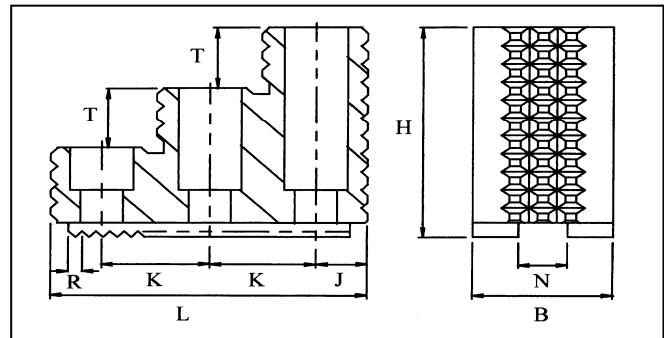
Type 1



Type 3

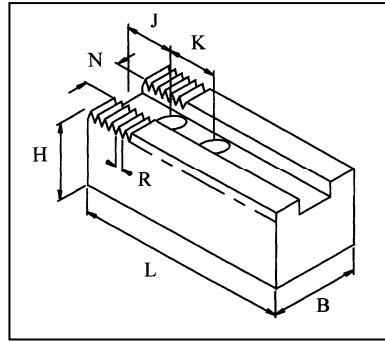
CHUCK Ø	CHUCK TYPE	LCS ORDER CODE	Type	B	H	L	N	J-K	R 90°	BOLT
110	KH110	018001	1	20	40	55	8	11-14	1/16	M9 x 1
140	KH140/160	018002	1	30	45	70	10	13-19	1/16	M10
		018003 Steel	3	100	40	54		24-19		
		018004 Aluminium	3		38					
175	KH175/200	018005	1	30	50	84	12	18-21	1/16	M12
		018006	1	35	60	90		14-21		
		018007 Steel	3	120		60		24-21		
		018008 Aluminium	3		64					
250	KH250/315	018009	1	40	60	111	16	18-29	1/16	M16
		018010	1		80					
		018011 Steel	3	170	60	90		33-29		
		018012 Aluminium	3		64					
400	KH400/500/630	018013	1	50	65	150	20	31-38	3/32	M20
		018014			80					
		018015			90					

Berg
KH
Serrated Hard Top Jaws

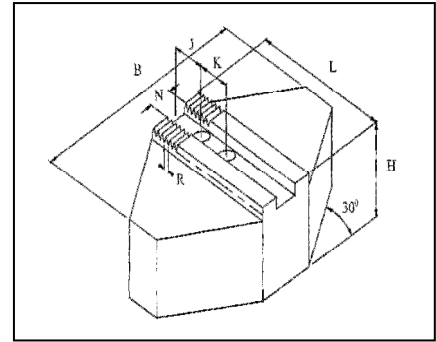


CHUCK Ø	CHUCK TYPE	LCS ORDER CODE	B	H	L	T	N	J-K-K	R 90°	BOLT
110	KH110	018016	24	34	50	6,5	8	9,7-14,3-14,3	1/16	M9 x 1
140/160	KH140,KH160	018017	25	38	66,5	6,5	10	13,19,17	1/16	M10
175/200	KH175,KH200	018018	30	44	79	8	12	14,21,21	1/16	M12
250/315	KH250,KH315	018019	40	60	112	12	16	21-29-29	1/16	M16
400/500 630	KH400,KH500 KH630	018020	50	75	144	15	20	29-38-38	3/32	M20

Forkardt
KTHS
Serrated Soft Top Jaws



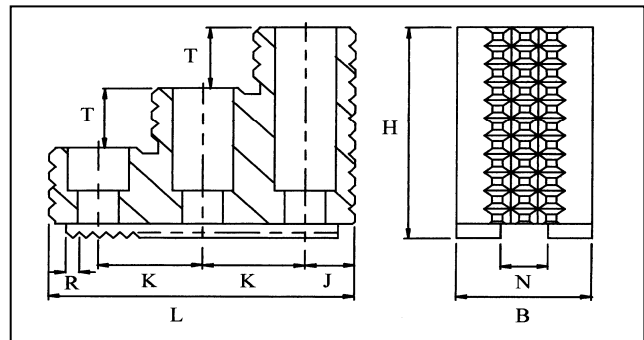
Type 1



Type 3

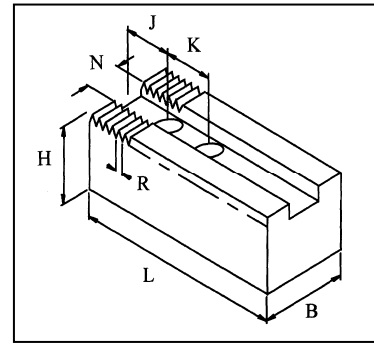
CHUCK Ø	CHUCK TYPE	LCS ORDER CODE	Type	B	H	L	N	J-K	R 90°	BOLT
130	KTHS 130/140	019001	1	30	30	60	12	12-19	1/16	M10
		019002	1		50			19-19		
		019003 Steel	3	92	40	50				
		019004 Aluminium	3		50					
160	KTHS 160/175	019005	1	35	40	72	14	15-21	1/16	M12
		019006	1		50			24-21		
		019007	1		60					
		019008 Steel	3	120	60	64				
		019009 Aluminium	3		64					
200	KTHS 200/250/315	019010	1	40	40	92	17	18-24	1/16	M14
		019011	1		50			28-24		
		019012	1		60					
		019013	1		80			90		
		019014 Steel	3	150	60	80				
		019015 Aluminium	3		64			76		

Forkardt
KTHS
Serrated Hard Top Jaws



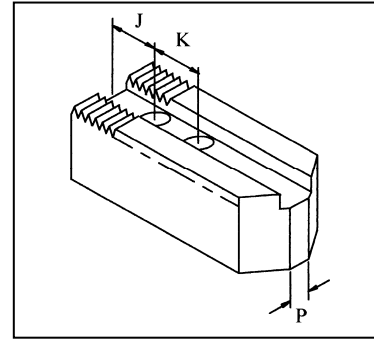
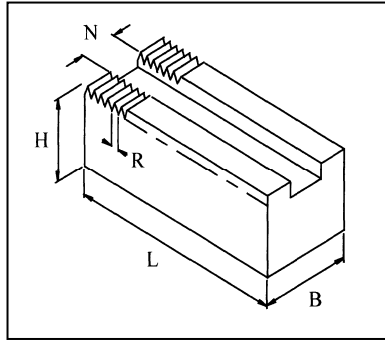
CHUCK Ø	CHUCK TYPE	LCS ORDER CODE	B	H	L	T	N	J-K-K	R 90°	BOLT
130 140	KTHS 130 KTHS 140	019016	30	35	63	6,5	12	16,5-17-17	1/16	M10
160 175	KTHS 160 KTHS 175	019017	35	42	73	8	14	19,5-19,5-19,5	1/16	M12
200 250 315	KTHS 200 KTHS 250 KTHS 315	019018	40	53	89	12	17	27-23-23	1/16	M14

Forkardt
2 BLE
Serrated Soft Top Jaws



CHUCK Ø	CHUCK TYPE	LCS ORDER CODE	B	H	L	N	J-K	R 90°	BOLT
160	2 BLE-PS160	020001	60	60	70	17	12-22	1/16	M12
200	2BLE-PS200 2BLEF200	020002	70	70	95	17	12-22	1/16	M12
	2BLE200 2BLE250Mo	020003							
250 300 315	2BLE250 2BLE315 2BLE-PS300-315	020004 020005	70 80	70 80	110 125	25,5	20-35	1/16	M20
400 500	2BLE400 2BLE500 2BLE-PS400-500	020006	80	80	150	25,5	28-35	1/16	M20

Serrated Soft Top Jaws
Undrilled or Drilled
1.5 x 60° Serrations



LCS ORDER CODE	B	H	L	N	J-K	P x 120°	R 60°	BOLT
021001	30	30	82	12			1.5	M10
021002		40	72					
021003		60						
021004		80						
021005		50	60					
021006	35	40	90	14			1.5	M12
021007		60						
021008		80	95					
021009		100						
021010		45	102					
021011		65	50					
021012	35	45	90	16			1.5	M12
021013	40	40	84					
021014			110					
021015		60	90					
021016			110					
021017		80						
021018		100						
021019		125						
021020		40	125					
021021		80	50					
021022	50	50	130					
021023			145					
021024		65	130					
021025		80						
021026		100						
021027		125						
021028		50	50	130	21			1.5
021029	145							
021030	65		130					
021031	80							
021032	100							
021033	125							

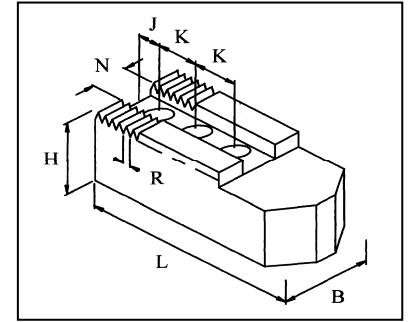
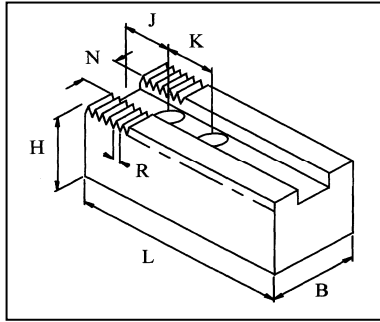
Please Note

For Drilled Blanks please specify with Jaw Code the Dimensions required for J-K.

For Pointed Drilled or Undrilled Blanks please specify with Jaw Code the Dimension P.

LEADER CHUCK SYSTEMS LTD CENTURY PARK BIRMINGHAM B9 4NZ UK

Gamet
DELTA, GA, GO, MAC, MF, MO, N
Röhm
KFD-HE, KFN, KFM, KFG, KFE
Serrated Soft Top Jaws

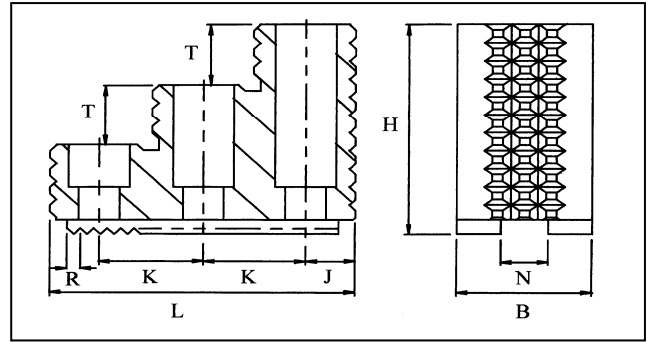


Type 1

Type 4

CHUCK Ø	GAMET	RÖHM	LCS ORDER CODE	Type	B	H	L	N	J-K	R	BOLT
100	105MO 105N	KFN 105 KFD,HE120	022001	1	20	30	55	10	9-15	1.5 x 60	M8
130	130MO 130N GA 150		022002 022003	1 4	25 30	30 40	55 77	11	10-15 10-20-20	1.5 x 60 1/16 x 90	M8
160	160GO 160MO 160N 170MF	KFN 160 KFM 160 KFG 160 KFE 160	022004 022005	4 1	30	40	77 67	11	10-20-20 17-20	1.5 x 60	M8
160	DELTA 170 GA160 GA170 MAC165 MAC170		022006	4	35	35	75	14	15-20-20	1/16 x 90	M10
200	DELTA210 GA210, MAC200, MAC220		022007 022008	4	40	40 60	95	17	12-22-22	1/16 x 90	M12
215	215GO 215MF 215MO 215N GA 210	KFN 215 KFM 215 KFG 215 KFE 215	022009 022010 022011	4 1 4	35-34	45 60 45	102 89 102	14	10-22-22 18-26 10-22-22	1.5 x 60 1/16 x 90	M10
250	DELTA250 GA250, MAC250, DELTA260 GA315, MAC315, DELTA320		022012 022013	4	45	45	120 150	21	15-32-32 20-38-38	1/16 x 90	M16
280	250N 280GO, 280MF 280MO, 280N 280NO GA250	KFN 250 KFN 280 KFM 280 KFG 280 KFE 280	022014 022015 022016 022017	4 4 1 4	45	60	117 130 90 130	20	15-30-30 18-26 15-30-30	1.5 x 60 1/16 x 90	M12
350	350GO 350MF 350MO 350N	KFN 350 KFM 350 KFG 350 KFE 350	022018 022019	4 1	50	60 80	170 120	21	22-40-40 25-28	1.5 x 60	M16

Gamet
DELTA, GA, GO, MAC, MO, MF, N, NO
Röhm
KFD-HE, KFE, KFG, KFM, KFN
Serrated Hard Top Jaws

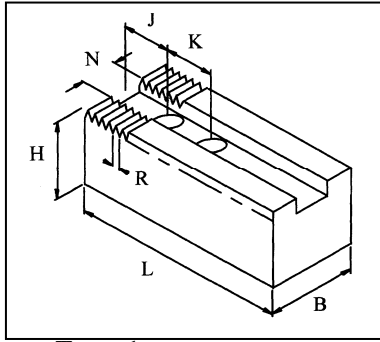


CHUCK Ø	GAMET	LCS ORDER CODE	B	H	L	T	N	J-K-K	R 90°	BOLT
160	GA160 MAC165 DELTA170 GA170 MAC170	023001	30	46	78	11	14	16-22-22	1/16	M10
200	MAC200 DELTA210 GA210 MAC220	023002	40	49	84	12	17	29-19-19	1/16	M12
250	DELTA250 GA250 DELTA260 MAC250	023003	50	58	104	14	21	34-25-25	1/16	M16
315	GA315 MAC315 DELTA320	023004	50	58	128	14	21	46-30-30	1/16	M16

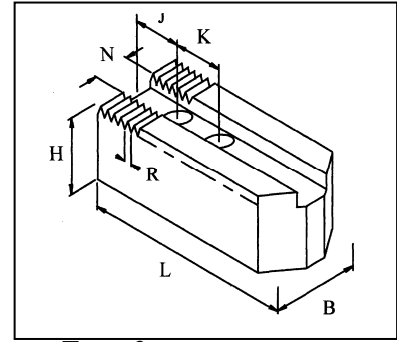
CHUCK Ø	GAMET	RÖHM	LCS ORDER CODE	B	H	L	T	N	J-K-K	R 60°	BOLT
100	105MO 105N	KFN90 KFD HE130	023005	22	30	54	6	10	11-16-16	1.5	M8
130	130MO 130N	KFM130 KFN130 KFN135	023006	26	38	56	10	11	13,5-16,5-16,5	1.5	M8
160	160GO 160MO 160N 170MF	KFG160 KFM160 KFN160 KFE170	023007	26	38	62	10	11	17,5-16,5-16,5	1.5	M8
215	215GO 215MF 215MO 215N	KFE215 KFG215 KFM215 KFN215	023008	36	53	81	12	14	25-21-21	1.5	M10
250	250N 280GO 280MO 280MF 280N 280NO	KFN250 KFE280 KFG280 KFM280 KFN280	023009	45	54	96	12	20	30-26-26	1.5	M12
350	350GO 350MF 350MO 350N	KFE350 KFG350 KFM350 KFN350	023010	50	60	112	15	21	27-33-33	1.5	M16

LEADER CHUCK SYSTEMS LTD CENTURY PARK BIRMINGHAM B9 4NZ UK

Howa
HO6M, HO14M, HO15M, HO18M, HO22M, HO23M, HO24M, HO25M, HO27M, HO37M, HO46M, HO47M, HO1MA, HO7MA, HO15M, HO22MA,
Serrated Soft Top Jaws



Type 1

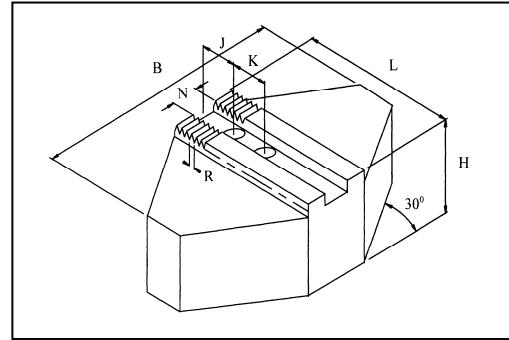


Type 2

CHUCK Ø	CHUCK TYPE	LCS ORDER CODE	Type	B	H	L	N	J-K	R 60°	BOLT
105,110 135	HO1MA4 HO24M5	024001 024002	1 1	25 20	40 40	50	10	10-14	1.5	M8
135	HO1MA5	024003	1	20	40	55	10	8-19	1.5	M8
110	HO27M4 HO27M5	024004	1	25	40	46	11	9-16	1.5	M8
165 170	HO7MA6, HO22M6 HO15MA6 HO24M6, HO27M6 HO37M6 HO46M6 HO23M8	024005 024006 024007 024008 024009 024010	2 2 1 2 1 1	30 30 30 35	30 30 40 50 60 35	72 80 72 70 72 65	12	15-20	1.5	M10
165	HO1MA6	024011 024012	1 1	30	40 60	72	12	15-20	3.00	M10
210	HO7MA8 HO15M8	024013 024014 024015 024016 024017 024018	2 2 1 2 1 1	35	35 40 45 50 80 100	95 102 95	14	24-25	1.5	M12
210	HO1MA8	024019 024020	1 1	35	45 80	95	14	25-25	3.00	M12
210 254	HO27M8, HO47M8 HO24M8, HO22M8 HO37M8, HO7MA10 HO23M10 HO15M10	024021 024022 024023 024024 024025	1 1 1 1 1	40 40 35	40 60 80 100 45	85 100 90	16	20-25	1.5	M12
254	HO1MA10	024026	1	40	40	110	16	30-30	3.00	M12
254	HO22M10, HO37M10 HO37M10, HO24M10 HO27M10, HO47M10 HO7MA12, HO22MA10 HO23M12, HO15M12	024027 024028 024029 024030	1 1 1 1	40 40 40	40 50 45 80	105 110	18	24-30	1.5	M14
304	HO1MA12	024031 024032	1 1	50	50 80	130	18	40-30	3.00	M14
304	HO27M12 HO37M12	024033 024034	1 1	50	65 80	111	21	25-35	1.5	M16
304	HO7M	024035	1	60	60	135	26	30-50	1.5	M20

LEADER CHUCK SYSTEMS LTD CENTURY PARK BIRMINGHAM B9 4NZ UK

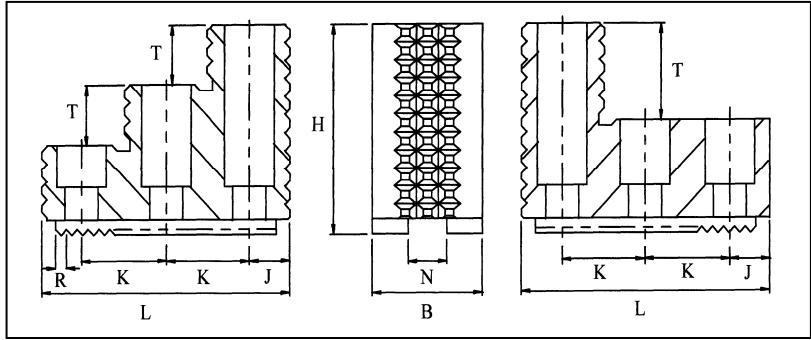
Howa
HO15M, HO22M, HO27M, HO37M, HO7MA
Matsumoto
H, HA, HH, HHJ, HJ, HX, STC, ZA
Diamond Jaws Serrated



CHUCK Ø	HOWA	MATSUMOTO	LCS ORDER CODE	B	H	L	N	J-K	R 60°	BOLT
165	HO7MA6 HO15M6 HO22M6 HO27M6 HO37M6		025001 Steel	120	40	60	12	15-20	1.5	M10
			025002 Steel		60					
			025003 Aluminium		64	64				
210	HO7MA8 HO15M8	HA6-8; HX-8 H-8; HH-8; HJ-8; HHJ-8; STC-8 ZA6-8-52	025004 Steel	150	40	80	14	15-25	1.5	M12
			025005 Steel		60					
			025006 Aluminium		64					
254	HO7MA10 HO15M10	HA6-10; H-10 HA8-10; HX-10 ZA-6-10-75 HHL-10; HH10 HJ-10; HA8-11 STC-10; HHJ-10	025007 Steel	170	60	90	16	20-30	1.5	M12
			025008 Aluminium		64					
304	HO15M12 HO27M10 HO37M10 HO7MA12	HA8-12; HX-12 H-12; SH-12 HH-12; HHL-12 HJ-12; HHJ-12 ZA8-12-72 ZA8-12-85	025009 Steel	240	76	118	18	30-30	1.5	M14
			025010 Aluminium							
380	HO27M15		025011 Steel	280	76	127	26	35-43	1.5	M20
			025012 Aluminium							

LEADER CHUCK SYSTEMS LTD CENTURY PARK BIRMINGHAM B9 4NZ UK

Howa
HO6M, HO14M, HO15M, HO18M, HO22M, HO23M HO24M, HO25M, HO27M HO37M, HO46M, HO47M HO1MA, HO7MA, HO15MA, HO22MA, Serrated Hard TopJaws



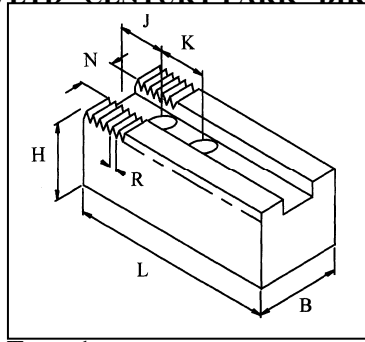
Type 1

Type 2

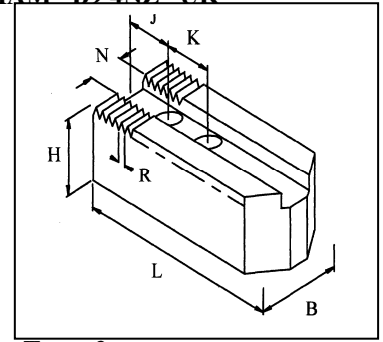
CHUCK Ø	CHUCK TYPE	LCS ORDER CODE	Type	B	H	L	T	N	J-K-K	R 60°	BOLT
165 170	HO7MA6, HO15MA6 HO22M6, HO24M6, HO27M6 HO37M6 HO46M6	026001	2	30	38	67	12	12	12,7-20-20	1.5	M10
165	HO1MA6	026002	2	30	38	67	12	12	15-20	3.00	M10
210	HO7MA8 HO15M8	026003	1	35	49	87,5	12	14	18,75-25-25	1.5	M12
		026004	2		39	80			13-25-25		
210	HO1MA8	026005	2	35	39	80	12	14	13-25-25	3.00	M12
210 254	HO22M8 HO24M8 HO27M8 HO37M8 HO47M8 HO7MA10 HO15M10 HO23M10	026006	2	35	45	83	15	16	14-25-25	1.5	M12
254	HO1MA10	026007	2	40	45	98	15	16	14-25-25	3.00	M12
254	HO22M10 HO24M10 HO27M10 HO37M10 HO47M10 HO22MA10 HO7MA12 HO15M12 HO23M12	026008	1	50	64	106	15	18	26-30-30	1.5	M14
		026009	2		59	98,5			16		
304	HO1MA12	026010	2	50	59	98,5	16	18	17,5-30-30	3.00	M14
304	HO27M12 HO37M12 HO47M12	026011	2	50	59	98,5	16	21	17,5-30-30	1.5	M16

LEADER CHUCK SYSTEMS LTD CENTURY PARK BIRMINGHAM B9 4NZ UK

Kitagawa
AS, B, BT, BL, HJ, HJA, HLA, HO, HOB, HOH, HOS, N, UVE
Serrated Soft TopJaws



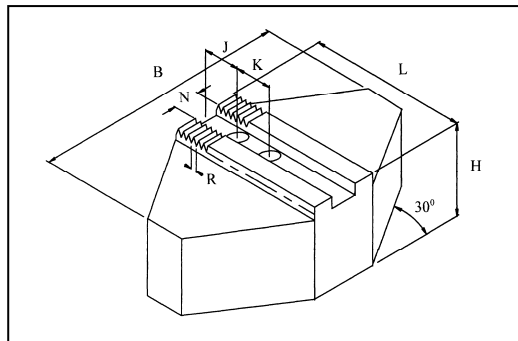
Type 1



Type 2

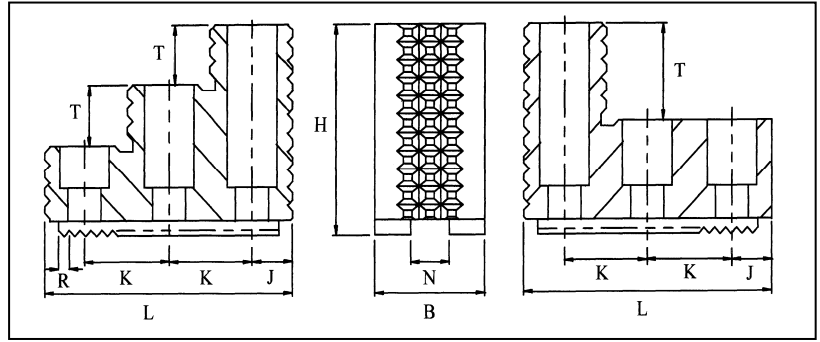
CHUCK Ø	CHUCK TYPE	LCS ORDER CODE	Type	B	H	L	N	J-K	R 60°	BOLT
110	B-04; HOB-4	027001	2	20	25	50	8	8-15	1.5	M6
		027002	2		50					
	AS110; B-204 HJ-4; N-04; B205	027003	2	25	30	55	10	10-14	1.5	M8
		027004	2		50					
135	B-05; HOB-5	027005	2	25	30	55	10	10-18	1.5	M8
		027006	2		50					
	HJ-5; N-05, HJA-4	027007	2		30	62		8-19		
165	AS165; B 06;B-160; B206 B 07; H 06; HOB 6; HOH 6 HOH 106; HOH 160 HOH 206; HOS 6; HJA5-6 N 06; N160	027008	2	30	30	72	12	15-20	1.5	M10
		027009	2		30					
		027010	1		40	72				
		027011	2		50	70				
		027012	1		60	72				
210	AS210; B 08; B108; B200 B208; H 08; HOB 8; HOH 8 HOH 108; HOH 200 HOH 208; HOS 8 HJA6-8; N 08; N-200	027013	2	35	35	95	14	24-25	1.5	M12
		027014	2		40					
		027015	1		45	95				
		027016	2		50					
		027017	1		80					
		027018	1		100					
254	AS250; B 10; B 110; B-210 B-250; HO 10; HOB 10 HOH 10; HOH 110 HOH 210; HOH 250 HOS 10; HJA6-10; HJA8-10 N 10; N 250	027019	1	40	40	110	16	30-30	1.5	M12
		027020	2		40					
		027021	2		40	125				
		027022	2		60	110				
		027023	1		80					
		027024	1		100					
304	B 12; B 300; BT 12 HJA6-12; HJA8-12 HLA6-12; HLA6-16 HLA8-15; HO12 HOB12; HOH 12; HOH 300 HOS 12; N 12; N 300	027025	1	50	50	130	18	40-30	1.5	M14
		027026	2			145				
		027027	1		80	130				
	B212 BT212 BL212	027028	1	50	50	130	21	40-30	1.5	M16
		027029	2			145				
		027030	1		80	130				
380	B 15; B 18; B380; B 450 HOB 15; HOB 18; HOH 15 HOH 18; HOH 15-K	027031	1	60	70	165	22	37-43	1.5	M20
		027032	1		100					
		027033	1		127					
380	HJ 15; HJ-380; HJA 8-18 HJA 8-21; HJA 11-15 HLA 8-18; HLA 8-21	027034	1	60	70	165	22	37-60	1.5	M20
450	B 21; B 24; B-530; B 600 HJ 18; HJ 21; HJ 24 HJ 450; HJ550; HJ610 HOB-21; HOB 24; N 21 N 24; UVE LB 500-630	027035	1	60	80	180	25	40-60	3	M20
		027036	1	64	127					
610	HJ24; HJA-24; HOB 24 UVE LB800	027037	1	76	102	210	25	40-80	3	M20

Kitagawa
AS, B, BT, BL, HJ, HJA, HLA, HO, HOB, HOH, HOS, N, UVE
Diamond Jaws
Serrated



CHUCK Ø	CHUCK TYPE	LCS ORDER CODE	B	H	L	N	J-K	R 60°	BOLT
165	AS165; B 06; B 160 B 206; B 07; HO 6 HOB 6; HOH 6 HOH 106; HOH 160 HOH 206; HOS 6 HJA 5-6; N 06; N 160	028001 Steel	120	40	60	12	15-20	1.5	M10
		028002 Steel		60					
		028003 Aluminium		64	64				
210	AS210; B 08; B 108 B 200; B 208; HO 8 HOB 8; HOH 8 HOH 108; HOH 200 HOH 208; HOS 8 HJA6-8; N 08; N 200	028004 Steel	150	40	80	14	15-25	1.5	M12
		028005 Steel		60					
		028006 Aluminium		64	80				
254	AS250; B 10; B 110 B 210; B 250 HO 10; HOB 10 HOH 10; HOH 110 HOH 210; HOH 250 HOS 10; HJA6-10 HJA8-10; N 10 N 250	028007 Steel	170	60	90	16	20-30	1.5	M12
		028008 Aluminium		64					
304	B 12; B 300; BT 12 HJA6-12; HJA8-12 HLA6-12; HLA6-16 HLA8-15; HO 12 HOB 12; HOH 12 HOH 300; HOS 12 N 12; N 300	028009 Steel	240	76	118	18	30-30	1.5	M14
		028010 Aluminium							
304	B 212; BT 212 BL 212	028011 Steel	240	76	118	21	30-30	1.5	M16
		028012 Aluminium							
380	B 15; B 18; B 380 B 450; HOB 15 HOB 18; HOH 15 HOH 18; HOH 15-K	028013 Steel	280	76	127	22	35-43	1.5	M20
		028014 Aluminium							

Kitagawa
AS, B, BT, BL, HJ, HJA, HLA, HO, HOB, HOH, HOS, N, UVE
Serrated Hard Top Jaws



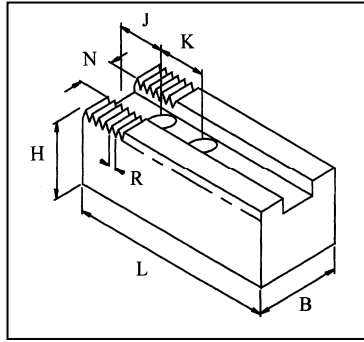
Type 1

Type 2

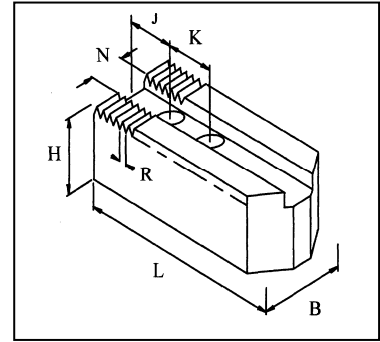
CHUCK Ø	CHUCK TYPE	LCS ORDER CODE	Type	B	H	L	T	N	J-K-K	R 60°	BOLT
165	AS165; B 06; B 160 B 206; B 07; HO 6 HOB 6; HOH 6 HOH 106; HOH 160 HOH 206; HOS 6 HJA 5-6; N 06; N 160	029001	2	30	38	67	12	12	12,7-20-20	1.5	M10
210	AS210; B 08; B 108 B 200; B 208; HO 8 HOB 8; HOH 8 HOH 108; HOH 200 HOH 208; HOS 8 HJA6-8; N 08; N 200	029002	1	35	49	87,5	12	14	18,75-25-25	1.5	M12
		029003	2		39	80			13-25-25		
254	AS250; B 10; B 110 B 210; B 250 HO 10; HOB 10 HOH 10; HOH 110 HOH 210; HOH 250 HOS 10; HJA6-10 HJA8-10; N 10 N 250	029004	1	40	58	100	13	16	20-30-30	1.5	M12
304	B 12; B 300; BT 12 HJA6-12; HJA8-12 HLA6-12; HLA6-16 HLA8-15; HO 12 HOB 12; HOH 12 HOH 300; HOS 12 N 12; N 300	029005	1	50	64	106	15	18	26-30-30	1.5	M14
		029006	2		59	98,5	16		17,5-30-30		
304	B 212; BT 212 BL 212	029007	2	50	59	98,5	16	21	17,5-30-30	1.5	M16
380	B 15; B 18; B 380 B 450; HOB 15 HOB 18; HOH 15 HOH 18; HOH 15-K	029008	1	60	86	143	20	22	24-43-43	1.5	M20

LEADER CHUCK SYSTEMS LTD CENTURY PARK BIRMINGHAM B9 4NZ UK

SMW
SP, STP, STWP, LP, BB
Röhm
LVE
Serrated Soft Top Jaws



Type 1

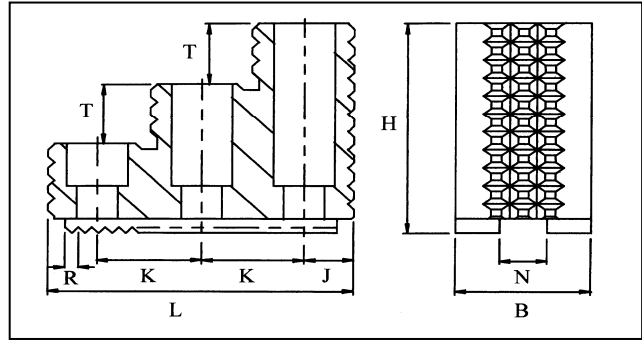


Type 2

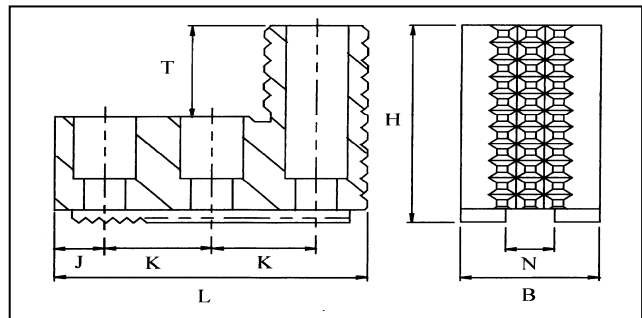
CHUCK Ø	SMW	RÖHM	LCS ORDER CODE	Type	B	H	L	N	J-K	R 90°	BOLT
125	SP 125 STP 125 STWP 125	LVE 125 LVE 160	030001	1	30	40	55	11	10-18	1/16	M8
160	SP160 STP 160 STWP 160		030001	1	30	50	88	14	25-25	1/16	M10
			030002	2	35	40	80		15-20		
			030003	1		60					
200	SP200 STP200 IP205 STWP200	LVE200	030004	1	40	40	90	17	25-22	1/16	M12
			030005	1		60					
			030006	2	35	40	98		15-22		
			030007	2		110					
			030008	1	40	50	98		25-29		
250, 315	SP250/315 STP250/315 LP250/310 STWP 250 STWP 315		030009	1	50	65	108	21	28-30	1/16	M14
			030010	1		80					
315	SP315 STP315 LP305 STWP315		030011	1	50	65	120	21	28-30	1/16	M14
			030012	1		80					
315		LVE250 LVE305 LVE315	030013	1	50	60	95	21	15-28	1/16	M16
			030014	1		80			120		
380, 400	STP400 LP380/460 BB400 BB400ES		030015	1	60	80	158	25,5	35-40	3/32	M18
500	STP500 LP500 BB 630-ES 265 BB 500 BB 500-ES		030016	1	60	80	185	25,5	35-40	3/32	M18
500		LVE400 LVE500 LVE600	030017	1	60	90	158	25,5	30-35	3/32	M20
630	STP630 BB630 BB 630-ES 265		030018	1	76	102	240	30	40-64	3/32	M24
800	STP800 BB800 BB1000	LVE800 LVE1000	030019	1	76	102	300	30	40-64	3/32	M24

LEADER CHUCK SYSTEMS LTD CENTURY PARK BIRMINGHAM B9 4NZ UK

SMW
SP, STP, STWP, LP, BB
Röhmm
LVE
Serrated Hard Top Jaws



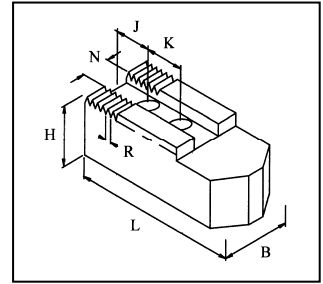
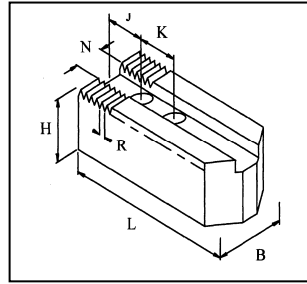
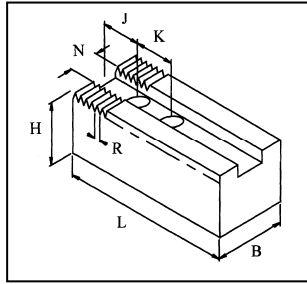
CHUCK Ø	SMW	RÖHM	LCS ORDER CODE	B	H	L	T	N	J-K-K	R 90°	BOLT
125	SP125, STP125 STWP 125	LVE 125 LVE 160	031001	30	40	58,5	9	11	14,5-16-16	1/16	M8
160	SP160, STP160 STWP160		031002	30	46	78	11	14	16-22-22	1/16	M10
200	SP200, STP200 LP205, STWP200	LVE 200	031003	40	50	88	12	17	20-24-24	1/16	M12
250, 315	SP250/315 STP250/315 LP250/310 STWP 250 STWP 315		031004	50	58	108	14	21	26-30-30	1/16	M14
315	SP315, STP315 LP305, STWP315		031005	50	58	134	14	21	38-36-36	1/16	M14
315		LVE 250 LVE 305 LVE 315	031006	50	58	104	14	21	34-25-25	1/16	M16



CHUCK Ø	SMW	RÖHM	LCS ORDER CODE	B	H	L	T	N	J-K-K	R 90°	BOLT
380,400	STP400, BB400 LP380/460 BB400ES		031007	60	75	140	22	25,5	38-31-31	3/32	M18
500	STP500, LP500 BB630-ES 265 BB500 BB500-ES		031008	60	75	160	22	25,5	40-42-42	3/32	M18
500		LVE 400 LVE 500 LVE 630	031009	60	75	140	26	25,5	38-31-31	3/32	M20
630	STP630, BB630 BB630-ES 265		031010	75	80	175	30	30	50-50-50	3/32	M24

LEADER CHUCK SYSTEMS LTD CENTURY PARK BIRMINGHAM B9 4NZ UK

Matsumoto
H, HA, HH, HHXA HJ,
HX, HXA, NE, NF, STC,
ZA
Serrated Soft Top Jaws



Type 1

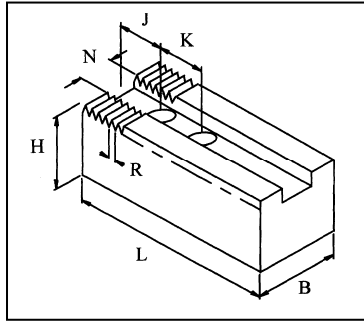
Type 2

Type 3

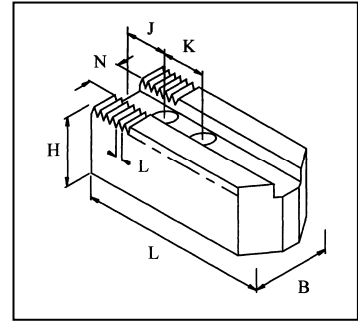
CHUCK Ø	CHUCK TYPE	LCS ORDER CODE	Type	B	H	L	N	J-K	R 60°	BOLT	
105, 110 135	H-4-21	032001	2	25	30	55	10	10-14	1.5	M8	
		032002	2		50	50					
135	HXA5-6-34 HHXA5-6 SA5-6-40	032003	3	25	25	66	10	8-19	1.5	M8	
		032004	1	20	40	55					
165	HA5-6; HH-6; 3NE HX-6; HJ-6; STC-6 ZA-5-6; H-6	032005	3	30	40	80	11	14-25	1.5	M8	
210	HA6-8; HX-8 H-8; HH-8; HJ-8 HHJ-8; STC-8 ZA6-8-52; 3.5NE NF20	032006	3	35	45	85	14	20-25	1.5	M12	
		032007	3			95		24-25			
		032008	2		35						
		032009	2		40	102					
		032010	1		45	95					
		032011	2		50						
		032012	1		80						
032013	1	100									
250, 254 265	HA6-10; HA8-10 ZA6-10-75; H-10 HX-10; HHL-10 HH-10; HHJ-10 HJ-10; HA8-11 STC-10; 4NE-NF	032014	1	40	40	110	16	30-30	1.5	M12	
		032015	2		40	110					
		032016	2		40	125					
		032017	2		60	110					
		032018	1		80	110					
		032019	1		100	110					
		032020	1		60	90		20-30			
		032021	3			110					
250	4NE Old Type	032022	1	40	60	90	17	25-22	1/16 x 90	M12	
		032023	3			110					
304,305 381	HA8-12; HX-12 H-12; SH-12 HH-12; HHL-12 HJ-12; HHJ-12 ZA8-12-78 ZA8-12-85 5NE 4NF	032024	1	50	50	130	18	40-30	1.5	M14	
		032025	2			145					
		032026	1			80					130
		032027	3			50		140			40-32
		032028				80					
380,450	HA11-15; HHL-15 H-15; HH-15 HA11-18; H-18 HH-18; ZA-15-120 5NE 5NF	032029	1	60	80	150	22	30-50	3	M20	

LEADER CHUCK SYSTEMS LTD CENTURY PARK BIRMINGHAM B9 4NZ UK

Leader
Self Contained LC
Serrated Soft Top Jaws



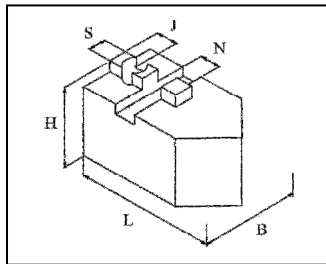
Type 1



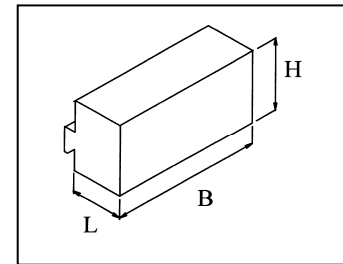
Type 2

CHUCK Ø	CHUCK TYPE	LCS ORDER CODE	TYPE	B	H	L	N	J-K	R	BOLT
3.0"	LC03/2J/CS, LC03/2J/ROT	033001	2	16	16	40	6,35	11,5-9,5	1,0	M5
	LC03/3J/CS, LC03/3J/ROT	033002	1	12,7	25,4	9,7-9,5		x		
	LC03/4J/CS, LC03/4J/ROT	033003	1	30	19	45		11,5-9,5	60°	
4.0"	LC04/2J/CS, LC04/2J/ROT	033004	2	16	16	40	6,35	11,5-9,5	1,0	M5
	LC04/3J/CS, LC04/3J/ROT	033005	1	12,7	25,4	9,7-9,5		x		
	LC04/4J/CS, LC04/4J/ROT	033006	1	30	19	45		11,5-9,5	60°	
5.0"	LC05/2J/CS, LC05/2J/ROT	033007	1	19	25	50	9,53	14-9,5	1/16	1/4
	LC05/3J/CS, LC05/3J/ROT	033008	1		50				x	
	LC05/4J/CS, LC05/4J/ROT	033009	1	40	25	90°				
8.0"	LC08/2J/CS, LC08/2J/ROT	033010	1	25,4	32	57	12,7	16-12,7	1/16	5/16
	LC08/3J/CS, LC08/3J/ROT LC08/4J/CS, LC08/4J/ROT	033011	1		50	67			x 90°	
10.0"	LC10/2J/CS, LC10/2J/ROT	033012	1	32	45	70	15,87	21-15,87	1/16	7/16
	LC10/3J/CS, LC10/3J/ROT LC10/4J/CS, LC10/4J/ROT	033013	1	32	76	83				
12.0"	LC12/2J/CS, LC12/2J/ROT	033014	1	38	50	76	17,5	19-23	1/16	1/2
	LC12/3J/CS, LC12/3J/ROT LC12/4J/CS, LC12/4J/ROT	033015	1		76	100				

Leader
MultiSystem Chuck Jaws –MMY Vice Jaws – MMX Soft Top Jaws



Type 4



Type 5

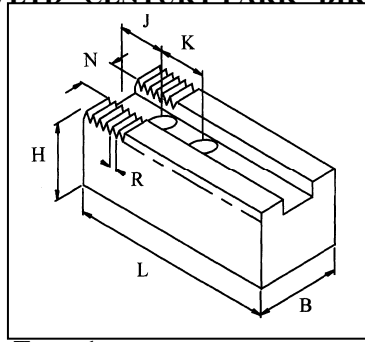
CHUCK Ø	CHUCK TYPE	LCS ORDER CODE	TYPE	B	H	L	N	J	S	BOLT
80	LC80/2J/3J/MMY	033016	4	25	35	40	6	14	7	M6
100	LC100/2J/3J/MMY	033017	4	30	30	47	8	13	8	M8
125	LC125/2J/3J/MMY	033018	4	35	35	59	12	15	12	M8
150	LC150/2J/3J/MMY	033019	4	40	40	66	14	15	14	M10

Note: Jaws for 2 jaw chucks are not pointed

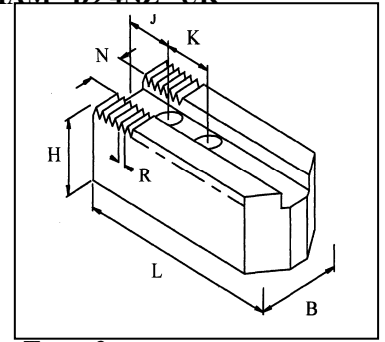
SIZE	VICE TYPE	LCS ORDER CODE	TYPE	B	H	L
33	LC33MMX	033020	5	33	20	14
55	LC55MMX	033021	5	55	25	18

LEADER CHUCK SYSTEMS LTD. CENTURY PARK BIRMINGHAM B9 4NZ UK

Leader
LC-M
Serrated Soft Top Jaws



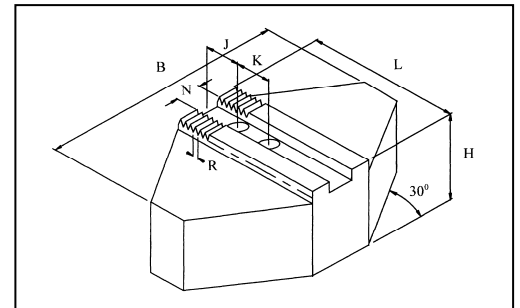
Type 1



Type 2

CHUCK Ø	CHUCK TYPE	LCS ORDER CODE	Type	B	H	L	N	J-K	R 60°	BOLT
130	LC130M/2J/ROT LC130M/3J/ROT	034001	2	25	30	55	10	10-18	1.5	M8
		034002	2		50	55				
165	LC165M/2J/ROT LC165M/3J/ROT	034003	2	30	30	72	12	15-20	1.5	M10
		034004	2		30	80				
		034005	1		40	72				
		034006	2		50	70				
		034007	1		60	72				
210	LC210M/2J/ROT LC210M/3J/ROT	034008	2	35	35	95	14	24-25	1.5	M12
		034009	2		40	102				
		034010	1		45	95				
		034011	2		50					
		034012	1		80					
		034013	1		100					
250	LC250M/2J/ROT LC250M/3J/ROT	034014	1	40	40	110	16	30-30	1.5	M12
		034015	2		40					
		034016	2		40	125				
		034017	2		60	110				
		034018	1		80					
		034019	1		100					
315	LC315M/2J/ROT LC315M/3J/ROT	034020	1	50	50	130	21	40-30	1.5	M16
		034021	2			145				
		034022	1		80	130				

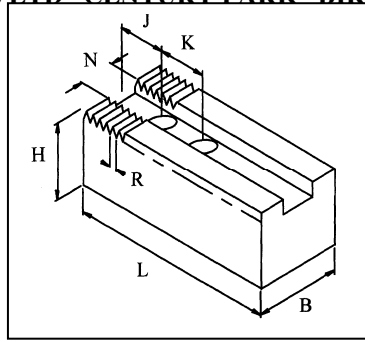
Leader
LC-M
Diamond Jaws Serrated



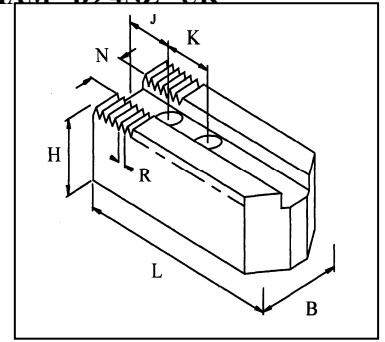
CHUCK Ø	CHUCK TYPE	LCS ORDER CODE	B	H	L	N	J-K	R 60°	BOLT
165	LC165M/3J/ROT	034023 Steel	120	40	60	12	15-20	1.5	M10
		034024 Steel		60					
		034025 Aluminium		64					
210	LC210M/3J/ROT	034026 Steel	150	40	80	14	15-25	1.5	M12
		034027 Steel		60					
		034028 Aluminium		64					
250	LC250M/3J/ROT	034029 Steel	170	60	90	16	20-30	1.5	M12
		034030 Aluminium		64					
315	LC315M/3J/ROT	034031 Steel	240	76	118	21	30-30	1.5	M16
		034032 Aluminium							

LEADER CHUCK SYSTEMS LTD CENTURY PARK BIRMINGHAM B9 4NZ UK

Leader
LC-I
Serrated Soft Top Jaws



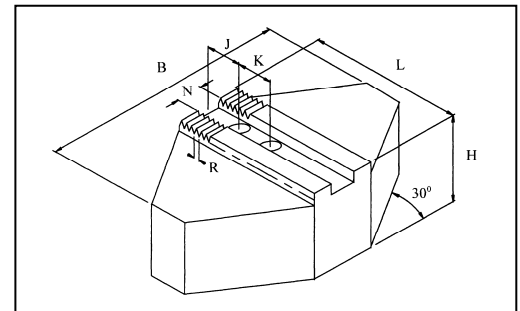
Type 1



Type 2

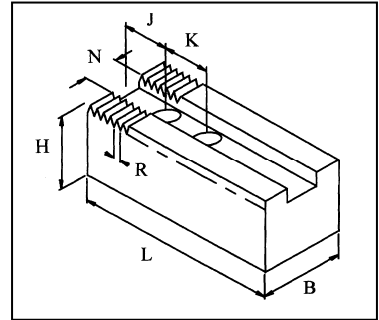
CHUCK Ø	CHUCK TYPE	LCS ORDER CODE	Type	B	H	L	N	J-K	R 90°	BOLT
130	LC130I/2J/ROT	035001	1	30	30	60	12	15-16	1/16	M8
	LC130I/3J/ROT	035002	1		40					
165	LC165I/2J/ROT LC165I/3J/ROT	035003	1	35	35	70	14	16-16	1/16	M10
210	LC210I/2J/ROT LC210I/3J/ROT	035004	1	40	40	64	17	13-25.4	1/16	M12
		035005	1		50	80		20-22		
		035006	1		40	90				
		035007	2							
		035008	1							
		035009	1		60					
		035010	2							
035011	2	35	40	110	14-22					
250 315	LC250I/2J/ROT LC250I/3J/ROT LC315I/2J/ROT LC315I/3J/ROT	035012	1	45	60	105	21	18-31.8	1/16	M16
		035013	1	50	65	116		25-31.8		
		035014	1		50	120		30-28		
		035015	2	140						
		035016	1							
		035017	2							
		035018	1	80	120	28-30				
		035019	1	70	70	100		20-30		
		035020	1	45	45	110		22-30		
		035021	1	50	50	125				
		035022	1		80					
		035023	2		145					
		035024	1		80	130				

Leader
LC-I
Diamond Jaws Serrated



CHUCK Ø	CHUCK TYPE	LCS ORDER CODE	B	H	L	N	J-K	R 90°	BOLT
210	LC210I/3J/ROT	035025 Steel	150	40	80	17	15-22	1/16	M12
		035026 Steel		60	80				
		035027 Aluminium		64	80				
250	LC250I/3J/ROT	035028 Steel	170	60	90	21	20-28	1/16	M16
		035029 Aluminium		64					
315	LC315I/3J/ROT	035030 Steel	240	76	118	21	30-28	1/16	M16
		035031 Aluminium							

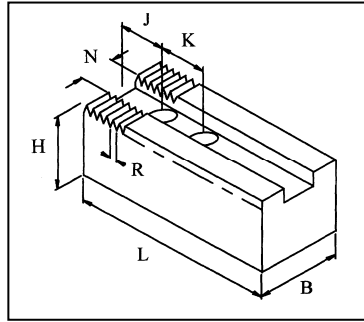
Pratt Burnerd
Constant Grip, International,
Quick Change, Self Contained
Wedge Types
Serrated Soft Top Jaws



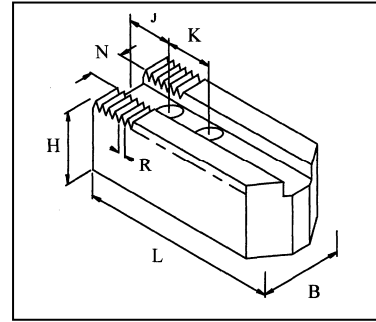
CHUCK Ø	PRATT CODE	LCS ORDER CODE	B	H	L	N	J-K	R	BOLT
<u>Wedge</u>									
160	2160-17512	036001	30	40	61	12.7	13-17.5	1/16 x 90°	M8
200	2160-21512	036002	35	50	71	14.28	15-20.63	1/16 x 90°	M10
250	2160-26512	036003	40	50	84	15.88	18-23.8	1/16 x 90°	M12
315	2160-32512	036004	45	60	110	17.5	21-31.75	1/16 x 90°	M14
400	2160-40512	036005	50	65	125	20.63	24-38.1	1/16 x 90°	M16
500-600	2160-51512	036006	60	80	152	25.4	30-44.5	3/32 x 90°	M20
<u>Self Contained</u>									
160	2740-17512	036007	25	40	62	13	14-18	1/16 x 90°	M8
200	2740-21512	036008	40	40	70	17	15-22	1/16 x 90°	M10
		036009		60					
250	2740-26512	036010	40	60	89	21	18-25	1/16 x 90°	M12
315	2740-32512	036011	40	60	105	21	23-30	1/16 x 90°	M12
<u>International / Quick Change</u>									
160	2860-17512	036012	40	40	70	17	15-22	1/16 x 90°	M12
200	2860-21512	036013	40	40	64	17	13-25.4	1/16 x 90°	M12
		036014		50	80				
250, 315	2860-26512	036015	45	60	105	21	18-31.8	1/16 x 90°	M16
	2860-32512	036016	50	65	116		25-31.8		
400	2860-40512	036017	60	80	152	25.5	30-44.5	3/32 x 90°	M20
<u>Constant Grip</u>									
160	2770-17512	036018	30	40	50	15	10-20.6	1/16 x 90°	M10
200	2770-21512	036019	40	40	64	17	13-25.4	1/16 x 90°	M12
		036020		50	80				
250	2770-26512	036021	40	50	80	17	13-25.4	1/16 x 90°	M12
315	2770-32512	036022	45	60	105	21	18-31.8	1/16 x 90°	M16
		036023	50	65	116		25-31.8		
380,400 500	2770-40512	036024	50	65	124	21	17-38.1	3/32 x 90°	M16

LEADER CHUCK SYSTEMS LTD CENTURY PARK BIRMINGHAM B9 4NZ UK

Pratt Burnerd
 HSQC
 Serrated Soft Top Jaws 1.5 x 60°
 or 1/16 x 90°



Type 1

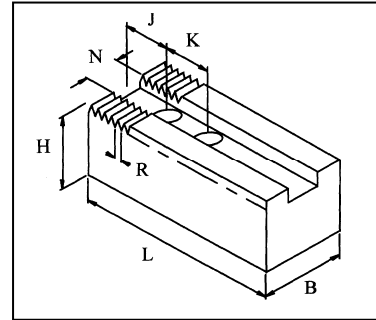


Type 2

CHUCK Ø	PRATT CODE	LCS ORDER CODE	Type	B	H	L	N	J-K	R	BOLT		
125/150KB	8820-13625	037001	1	25	40	52	12	8-14	1.5 x 60°	M8		
165/170KB	8820-17625	037002	2	30	30	70	12	11-17	1.5 x 60°	M8		
210/210KB	8820-21625	037003	2	35	35	95	14	24-25	1.5 x 60°	M12		
		037004	2		40	102						
		037005	1		45	95						
		037006	2		50							
		037007	1		80							
		037008	1		100							
254/265KB	8820-26625	037009	1	40	40	110	16	30-30	1.5 x 60°	M12		
		037010	2									
		037011	2			125						
		037012	2			60					110	
		037013	1			80						
		037014	1			100						
305KB	8820-31625	037015	1	50	50	130	18	40-30	1.5 x 60°	M14		
		037016	2			145						
		037017	1			80					130	
380,460 530,610	8820-38625	037018	1	60	70	165	22	37-43	1.5 x 60°	M20		
		037019	1			100						
		037020	1			127						
125/150KB	8820-13612	037021	1	25	40	52	12	8-14	1/16 x 90°	M8		
165/170KB	8820-17612	037022	1	30	30	70	12	11-17	1/16 x 90°	M8		
210 254 265KB	8820-21612 8820-26612	037023	1	40	40	90	17	20-22	1/16 x 90°	M12		
		037024	2									
		037025	1									
		037026	1			60						
		037027	2									
		037028	2			35					40	110
305KB	8820-31612	037029	1	50	50	120	21	30-28	1/16 x 90°	M16		
		037030	2									
		037031	1									
		037032	2									
		037033	1			80					120	
		037034	1			70					70	100
		037035	1			45					45	110
		037036	1			50					50	125
		037037	1			80						
28-30												
20-30												
22-30												
380,460 530,610	8820-28612	037038	1	60	80	152	25,4	30-44.5	3/32 x 90°	M20		

LEADER CHUCK SYSTEMS LTD CENTURY PARK BIRMINGHAM B9 4NZ UK

Pratt Burnerd & Herbert
Tudor & Coventry
Serrated Soft Top Jaws

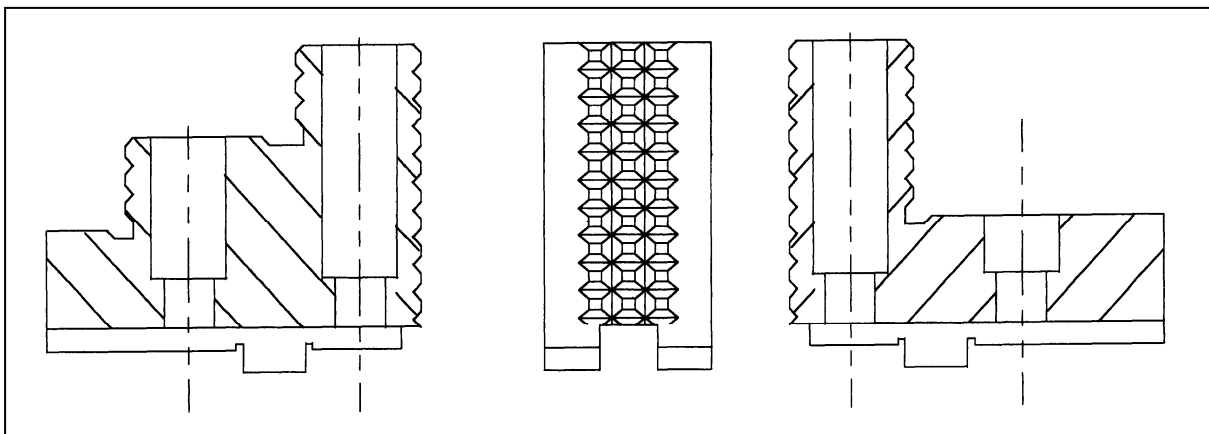
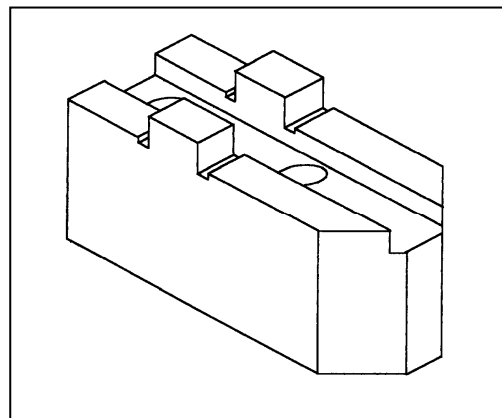
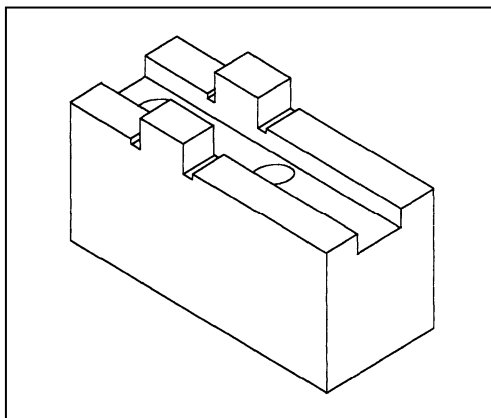
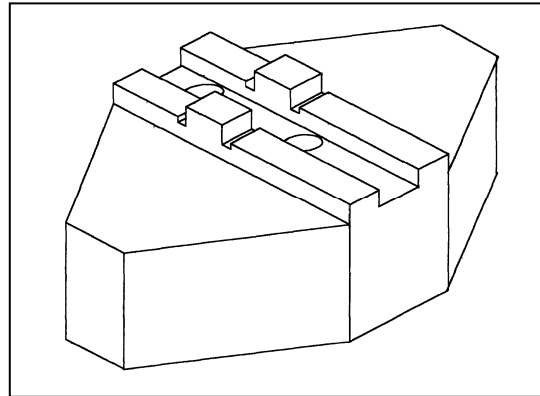


CHUCK Ø		JAW TYPE	LCS ORDER CODE	B	H	L	N	J-K	R 90°	BOLT
COV.	TUD.									
6.0", 7.5"	6.5"	STD	038001	1.00	1.25	2.25	.500	.63-.50	1/16	5/16
		LARGE	038002		2.00	2.63				
		LONG	038003		1.25	3.00				
		2 JAW	038004	2.00	1.25	2.25				
	7.5"	STD	038005	29	35	2.50	.562	.82-.687	1/16	3/8
		LARGE	038006	1.00	2.25	3.00				
		LONG	038007	29	35	3.50				
		2 JAW	038008	2.50	1.50	2.50				
9.0"	9.0"	STD	038009	32	45	2.75	.625	.812-.625	1/16	7/16
		LARGE	038010	1.25	76	3.25				
		LONG	038011	32	45	4.00				
		2 JAW	038012	3.00	45	2.75				
12.0"	12.0"	STD	038013	1.50	2.00	3.00	.687	.75-.906	1/16	1/2
		LARGE	038014		3.00	4.00				
		LONG	038015		2.00	4.50				
		2 JAW	038016	3.0	3.00					
15.0"	15.0"	STD	038017	45	60	3.75	.812	1.0-1.187	1/16	5/8
		LARGE	038018		80	4.75				
		LONG	038019		60	5.50				
18.0"	18.0"	STD	038020	50	65	4.25	1.000	1.06-1.375	3/32	3/4
		LARGE	038021		90	5.50				
21.0"	21.0"	STD	038022	2.25	3.00	5.50	1.000	1.68-1.625	3/32	3/4
		LARGE	038023	2.00	5.00	6.75				
25.0"	25.0" 29.0	STD	038024	2.25	3.00	6.25	1.000	1.63-2.125	3/32	3/4
		LARGE	038025	2.50	5.00	7.75				
28.0"		STD	038026	50	90	6.75	1.000	1.63-2.375	3/32	3/4
32.0"		STD	038027	3.00	4.00	7.75	1.250	2.0-2.625	3/32	1.0

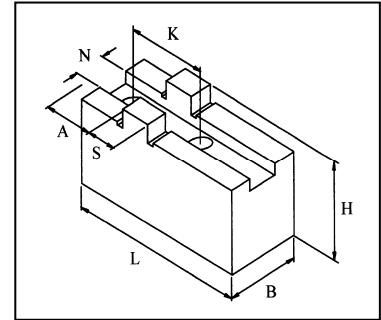
SLOT & TENON TOP JAWS

Steel – 16MnCr5 Blacked

Aluminium – HE30

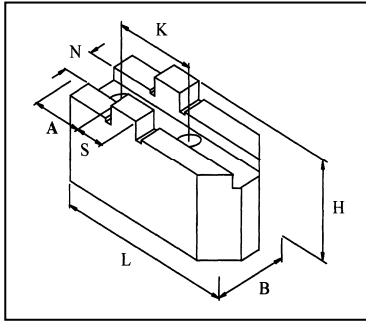


Berg, Forkardt, Gamet, Kitagawa,
Röhm, Schunk, SMW Autoblok
Slot & Tenon
Soft Top Jaws

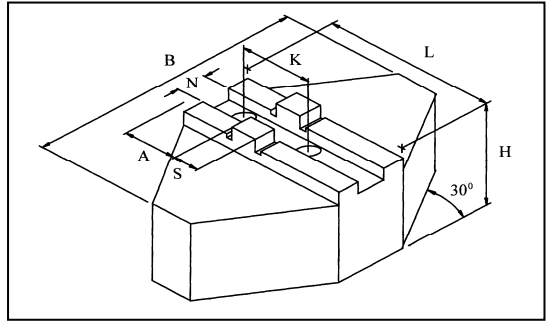


Type 1

BERG	FORKARDT	GAMET	KITAGAWA	RÖHM	SCHUNK	SMW AUTOBLOK
KHNC 140				DURO NC 140 DURO NC 168		KNCS 140 KNCS-N 140-35
KHNC 160 KHNC 185	F160 F+160 KTNC 160 KTNCV 160 FNC 175 KTNCV 175	MX 152 MX 175		DURO 160 DURO NC 160 DURO NCE 160 DURO NC 175	ROTA-G 160 ROTA-S 160 ROTA-S plus 160 ROTA NC-W 185 THW 165R	HG 160 HG-F 160 HG-N 160 KNCS 160 KNSP 160 RMG 160 KNCS-N 170
KHNC 200	F 200 F+200 FNC 200 KTNC 200 KTNCV 200	MX 215	QJ 8	DURO 200 DURO NC 200 DURO NCE 200 DURO NC 225	ROTA-G 200 ROTA-S 200 ROTA-S plus 200 ROTA NC-WF 210 ROTA NC-W 225 THW 210F THW 210R	HG 200, HG-F210 HG-N210 KNCS 200/225 KNCS-A 200 KNSP 200 KNCS-N 210/225 RMG 200
KHNC 250 KHNC 315	F 250 F+250 FNC 250 KTNC 250 KTNCV 250 UNC 250 KTNC 265 KTNC 280 FNC 315 KTNC 315 KTNCV 315 UNC 315	MX 252 MX 315 MX 330	QJ 10 QJ 12	DURO 250 DURO NC 250 DURO NCE 250 DURO NCE 315	ROTA-G 250 ROTA NC-WF 250 ROTA-S 250 ROTA-S plus 250 ROTA NC-W 265 ROTA G315 ROTA NC-W 315 ROTA NC-WF 315 THW 250F/265F THW 250R THW 265R/315R	HG 250/315 HG-F 260/315 HG-N 260/315 KNCS 250 KNCS 260 KNCS 315 KNCS-A 250/315 KNCS-N 260/315 RMG 250
KHNC 400	F 315 F+ 315 KTNC 360 FNC 400 KTNC 400 KTNCV 400 UNC 400	MX 380		DURO 315 DURO NC 315 DURO NCE 400	ROTA-G 400 ROTA-S 315 ROTA-S plus 315 ROTA NC-W 400 THW 315F THW 400F THW 400R	HG 400 HG-N400 KNCS 400 KNCS-A 400 KNCS-N 400 RMG-315
KHNC 500	F 400, F+ 400 F 500L F+500L FNC 500 KTNC 500 KTNCV 500 UNC 500 FNC 630 KTNC 630 KTNCV 630			DURO 400 DURO NC 400 DURO 500 DURO NC 500 DURO NCE 500	ROTA-S 400 ROTA-S plus 400 ROTA-G 500 ROTA-S 500 ROTA-S plus 500 THW 500F THW 500R THW 630R	HG 500/630 HG-F 400/500 HG-N 500/630 KNCS 500/630 KNCS 500/630 KNCS-A 500 KNCS-N 500/630



Type 2



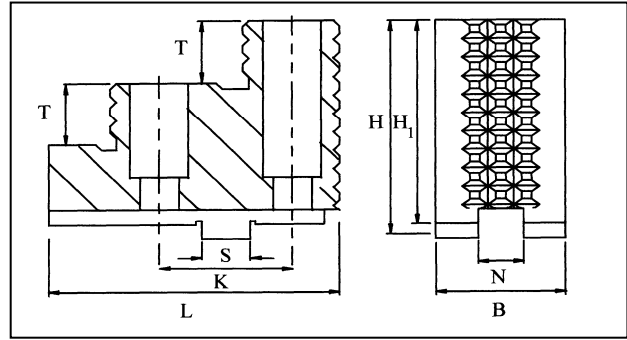
Type 3

CHUCK Ø	LCS ORDER CODE	Type	B	H	L	N	K	A	S	BOLT
140	041001	1	20	40	70	8	32	26	18	M8
	041002	2	30	45	70					
160	041003	1	20	40	85	8	32	24	18	M8
	041004	1	40	40	60					
	041005	1	40	60	70					
	041006 Steel	3	120	40	60					
	041007 Steel	3		60						
	041008 Aluminium	3		45						
	041009 Aluminium	3		64						
200	041010	1	20	50	105	10	40	34	20	M8
	041011	1	30	50	105					
	041012	1	40	40	70					
	041013	1		60	85					
	041014	1		80	95					
	041015 Steel	3		150	60					
	041016 Aluminium	3	64							
250	041017	1	30	50	125	12	40	35	20	M12
	041018	1		60						
	041019	1		40						
	041020	1	80		125					
	041021	1		100						
	041022	1	60	60	90					
	041023	1	80							
	041024 Steel	3	170							
	041025 Aluminium	3		64						
315	041026	1	40	60	145	12	54	45	26	M12
	041027	1	40		110					
	041028	1		100	145					
	041029	1	50	80	145					
	041030	1	60	60	110					
	041031	1	80	80	110					
	041032 Steel	3	240	76	118					
	041033 Aluminium	3								
400	041034	1	50	80	180	18	60	50	30	M16
	041035	1	70	70	130			35		
	041036	1	60	90	155					
	041037	1	80	80	130					

LEADER CHUCK SYSTEMS LTD CENTURY PARK BIRMINGHAM B9 4NZ UK

Berg, Forkardt, Gamet, Kitagawa, Röhm, Schunk, SMW Autoblok
Slot & Tenon Hard Top Jaws

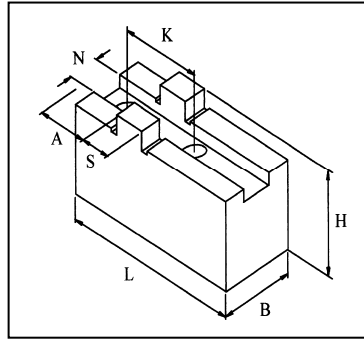
BERG	FORKARDT	GAMET	KITAGAWA	RÖHM	SCHUNK	SMW AUTOBLOK
KHNC 160 KHNC 185	F160 F +160 KTNC 160 KTNCV 160 FNC 175 KTNCV 175	MX 152 MX 175		DURO 160 DURO NC 160 DURO NCE 160 DURO NC 175	ROTA-G 160 ROTA-S 160 ROTA-S plus 160 ROTA NC-W 185 THW 165R	HG 160 HG-F 160 HG-N 160 KNCS 160 KNSP 160 RMG 160 KNCS-N 170
KHNC 200	F 200 F+200 FNC 200 KTNC 200 KTNCV 200	MX 215	QJ 8	DURO 200 DURO NC 200 DURO NCE 200 DURO NC 225	ROTA-G 200 ROTA-S 200 ROTA-S plus 200 ROTA NC-WF 210 ROTA NC-W 225 THW 210F THW 210R	HG 200, HG-F210 HG-N210 KNCS 200/225 KNCS-A 200 KNSP 200 KNCS-N 210/225 RMG 200
KHNC 250 KHNC 315	F 250 F+200 FNC 250 KTNC 250 KTNCV 250 UNC 250 KTNC 280 FNC 315 KTNC 315 KTNCV 315 UNC 315	MX 252 MX 315 MX 330	QJ 10 QJ 12	DURO 250 DURO NC 250 DURO NCE 250 DURO NCE 315	ROTA-G 250 ROTA NC-WF 250 ROTA-S 250 ROTA-S plus 250 ROTA NC-W 265 ROTA G315 ROTA NC-W 315 ROTA NC-WF 315 THW 250F/265F THW 250R THW 265R/315R	HG 250/315 HG-F 260/315 HG-N 260/315 KNCS 250 KNCS 260 KNCS 315 KNCS-A 250/315 KNCS-N 260/315 RMG 250
KHNC 400	F 315 F+ 315 KTNC 360 FNC 400 KTNC 400 KTNCV 400 UNC 400	MX 380		DURO 315 DURO NC 315 DURO NCE 400	ROTA-G 400 ROTA-S 315 ROTA-S plus 315 ROTA NC-W 400 THW 315F THW 400F THW 400R	HG 400 HG-N400 KNCS 400 KNCS-A 400 KNCS-N 400 RMG-315
KHNC 500	F 400, F+ 400 F 500L F+500L FNC 500 KTNC 500 KTNCV 500 UNC 500 FNC 630 KTNC 630 KTNCV 630			DURO 400 DURO NC 400 DURO 500 DURO NC 500 DURO NCE 500	ROTA-S 400 ROTA-S plus 400 ROTA-G 500 ROTA-S 500 ROTA-S plus 500 THW 500F THW 500R THW 630R	HG 500/630 HG-F 400/500 HG-N 500/630 KNCS 500/630 KNCS 500/630 KNCS-A 500 KNCS-N 500/630



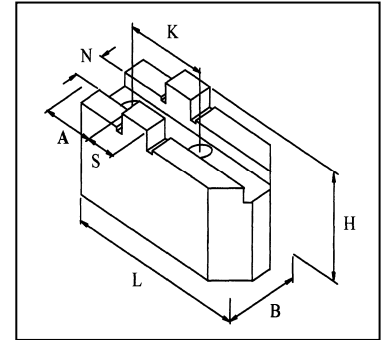
CHUCK Ø	LCS ORDER CODE	B	H	H ₁	L	T	N	K	S	BOLT
160	043001	20	36,5	32,5	63	7,5	8	32	18	M8
200	043002	22	42	38	72	10	10	40	20	M8
250	043003	30	55	50	90	14	12	40	20	M12
315	043004	35	60	55	103	15	12	54	26	M12
400	043005	45	80	74	130	20	18	60	30	M16

LEADER CHUCK SYSTEMS LTD CENTURY PARK BIRMINGHAM B9 4NZ UK

Röh
ZGD, ZGD, ZGF, USU, ZGD, ZSU
Bergmans, Bison, SCA, Ladner, Pratt Burnerd
Slot & Tenon
Soft Top Jaws



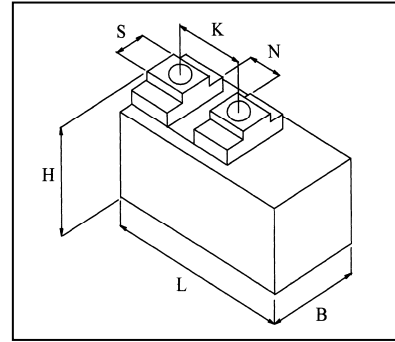
Type 1



Type 2

CHUCK Ø	CHUCK TYPE	LCS ORDER CODE	Type	B	H	L	N	K	A	S	BOLT				
100		044001	1	20	30	53	7,95	24	22	9,5	M6				
125	ZGU125	044002	1	25	35	62	7,95	32	25	12,7	M8				
	ZSU125 ZGF125	044003	2		40	72									
160	ZGU160	044004	1	30	45	74	7,95	38	31	12,7	M10				
	ZGU140	044005	2												
	ZSU160	044006	1	25	40	70			25						
	ZSU140 ZGF160														
200	ZGU200	044007	1	30	45	87	7,95	44,5	37	12,7	M10				
	ZGD200-230	044008	1						25			40	110	44	
	ZSU200	044009	2												
	UGU200	044010	1	35	45	80			28						
	ZGF200 USU200														
250	ZGU250	044011	1	35	50	103	12,7	54	42	19,05	M12				
	ZGD250-270	044012	2												
	ZSU250	044013	1									120			
	UGU260	044014	1									160			
	ZGF250	044015	1									27	55	140	60
	USU260	044016	1									30	60	100	40
315	ZGU315	044017	1	45	60	120	12,7	63,5	50	19,05	M12				
	ZGD315	044018	2									130			
	ZSU315	044019	1	40	70	160			70						
	UGU310-350	044020	1						50			170			
	ZGF315	044021	1	40	60	112			43						
	USU310-350														
400	ZGU350-400	044022	1	45	60	137	12,7	76	59	19,05	M16				
	ZGD400	044023	2			150									
	ZSU350-400	044024	1	40	70	130			51						
	UGU400-450														
	ZGF350-400 USU400-450														
500	ZGU500-630-700	044025	1	50	80	140	12,7	76	60	19,05	M20				
	ZGD500	044026	1		80	135			50						
	ZSU500-630-700														
	UGU500-560-600-630-710 USU500-560-600-630-710														

Wickman
Cross Slot & Tenon
Soft Top Jaws

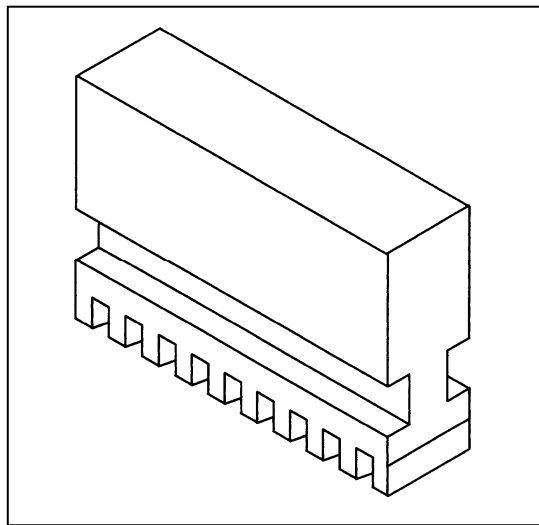


CHUCK Ø	JAW TYPE	LCS ORDER CODE	B	H	L	N	K	S	BOLT
5.0"	440/1A	045001	40	60	68	10	20.6	12	5/16
	440/2	045002	50	65	62				
6.0"	440/3A	045003	40	60	75	12	24	15	3/8
	440/4	045004	50	65	67				
7.25"	440/5	045005	60	70	76	12.7	28.6	15.87	7/16
	440/6	045006	90	90	64				
9.0"	440/7	045007	90	90	90	12.7	41.3	15.87	7/16

This page is intentionally blank

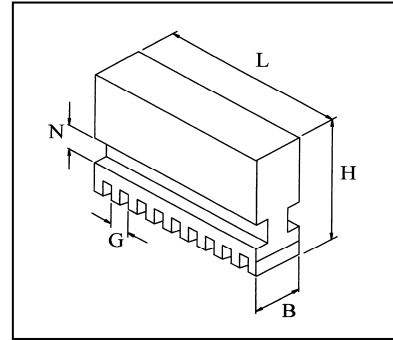
SOFT BLANK SCROLL JAWS

Steel – 080M15



This page is intentionally blank

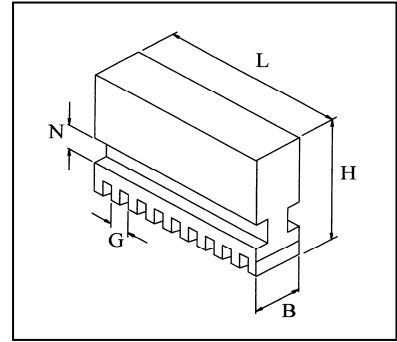
Elliot (Emco), Röhm
Toolmex, Tos
Soft Scroll Jaws



CHUCK Ø	LCS ORDER CODE	B	H	L	N	G
Elliot (Emco)						
125	049001	20	42	57	8	6
160	049002	19.8	50	66	8.4	8
200	049003	26	70	82	10	8
230	049004	26	70	90	10	8
250	049005	25.8	70	100	10.4	10
315	049006	32	83	120	12	10
400	049007	32	83	135	12	10
Röhm						
125	049008	18	45	64	7	8
160	049009	18	57	64	7	8
200	049010	20	57	75	8	8
250	049011	24	70	83	10	10
315	049012	34	75	130	15	10
400	049013	34	75	130	15	10
Toolmex						
125	049014	20	38	50	8	7
160	049015	20	50	70	8	8
200	049016	25	57	85	10	8
250	049017	28	70	105	12	9
315	049018	32	75	125	12	10
Tos						
100	049019	14	38	45	7	6
125	049020	16	38	50	7	6
160	049021	18	45	64	7	6
200	049022	22	57	75	8	8
250	049023	25	70	108	8	8
315	049024	32.4	70	130	12.4	10

LEADER CHUCK SYSTEMS LTD CENTURY PARK BIRMINGHAM B9 4NZ UK

Pratt Burnerd
All Steel, Burnerd Griptru,
Hardinge Standard, Super Precision
Soft Scroll Jaws



CHUCK Ø	PRATT CODE	LCS ORDER CODE	B"	H"	L"	N"	G"
<u>Standard, Super Precision, Griptru</u>							
100	2580-10606	050001	.555	1.38	1.63	.191	.200
125	2210-13606	050002	.620	1.50	2.00	.316	.250
160	2210-17606	050003	.740	1.75	2.75	.316	.250
200	2210-20606	050004	.812	2.25	3.00	.375	.333
250	2210-25606	050005	1.000	2.75	4.00	.437	.333
315	2210-32606	050006	1.110	2.75	4.50	.507	.333
380	2580-38606	050007	1.187	3.00	5.00	.450	.400
460,535, 610	2580-46606	050008	1.500	3.50	5.75	.563	.500
<u>Hardinge</u>							
125	2588-14066	050009	.555	1.38	1.62	.191	.250
<u>All Steel</u>							
230	2780-23606	050010	1.000	2.75	3.50	.375	.333
310	2780-31606	050011	1.187	3.000	4.25	.450	.333
<u>Burnerd</u>							
7.5-8.0	2580-19606	050012	.985	2.50	3.00	.382	.333
9.0	2580-23606	050013	.985	2.50	3.50	.382	.333
10.5-12.0	2580-27606	050014	1.235	3.00	4.00	.507	.333
<u>Metric Super Precision</u>							
100	8210-10606	050015	14	35	42	7	6
125	8210-13606	050016	16	38	53	7	6
160	8210-17606	050017	18	45	68	7	6
200	8210-20606	050018	22	57	78	8	8
250	8210-25606	050019	25	70	100	8	8
315	8210-32606	050020	32	75	124	12	10